

SLDS110SCE

Steel Security Safe Lock Box

with Electronic Keypad to Secure Valuables

serenelife User Guide

Features:

- Easy to Program 3-8 Digit Personal Code Electronic Lock
- Solid Steel Construction
- Pry Resistant with Concealed Hinges
- 3 LED Indicator Lights (Green, Yellow, Red)
- Changeable Code and Easy Reset Button
- 2 Piece One-way Locking Bolts (0.78" inches)
- Supply the Override Key for Emergency Use
- Include the Protective Floor Mat
- Pre-drilled Mounting Holes with Two Expansion Bolts
- Can be Mounted to Walls or Floors
- Drawer safe, Used in Multiple Scenarios
- One Metal Steel Door Handle for Easy Open & Closing



What's in The Box:

- (2) Emergency Keys • (4) 1.5V AA Batteries • (2) Install Screws • (1) Desiccant

Technical Specs:

- Construction Materials: Steel
- Thickness: Door: 0.15", Body: 0.05" -inches
- Battery Info: 1.5V AA Batteries
- Number of Battery: 4 pcs
- Battery Construction Material: Carbon Zinc Battery
- Type of Battery: AA
- Battery Voltage: 1.5V
- Milliamp Hours (mAh): 760mAh (50mA, 1h/8h, 24h/d, 20±2°C/35.6°F, e.v.=1.0V)
- Battery Watt Hours (How Many): 0.915wh
- Battery Cells: 1
- Battery Weight: 0.04lbs / pcs (total 4 pcs)
- Product Dimensions (L x W x H): 8.62" x 11.8" x 4.37" -inches

California Prop 65 Warning

⚠ WARNING:

This product can expose you to chemicals, which is known to the state of California to cause cancer birth defects and other reproductive harm. Do not ingest.

For more info go to: www.P65warnings.ca.gov

Questions? Comments?

We are here to help!

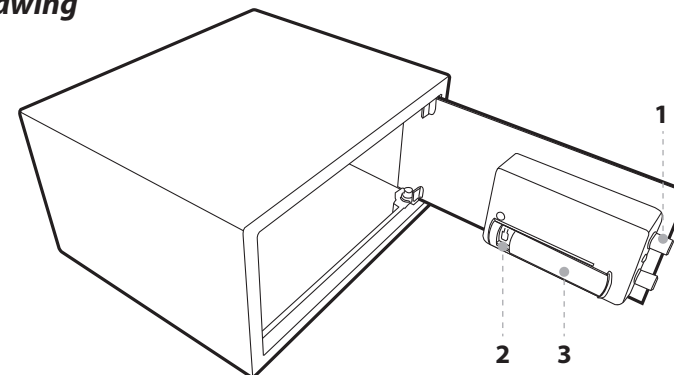
Phone: (1) 718-535-1800

Email: support@pyleusa.com

Do not keep emergency keys in your safe!

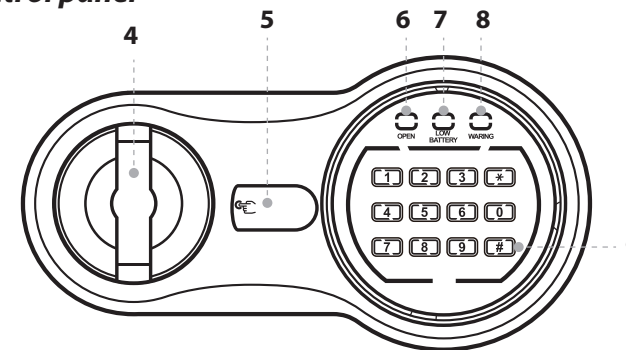
You've taken an important step in organizing and protecting your most valuable possessions. Each series of our safe is professionally crafted and designed to ensure your safety. Please take time to read and familiarize yourself with the proper operating procedures of your new safe presented on the following pages.

Schematic drawing



Schematic drawing of control panel

1. Bolts
2. Reset Button
3. Battery Compartment
4. Knob (Master Key)
5. Emergency Lock Cover
6. Green Light
7. Red Light
8. Yellow Light
9. Confirming button



CAUTION: All drawings in this manual have been prepared based on the EA.

The exterior design or component positions of other models may be different from what is indicated in the drawings, while the operation is the same.

OPENING YOUR SAFE FOR THE FIRST TIME

To open the safe for the first time, please use the emergency key.

The operation in detail refers to "opening the safe with the emergency key."

- Remove the emergency lock cover, then insert the emergency key and turn it counter-clockwise.
- Turn the knob (master key) clockwise to open the door.

Caution: After finishing the operation, pull out the emergency key and keep it in a safe place.

INSERTING THE BATTERIES

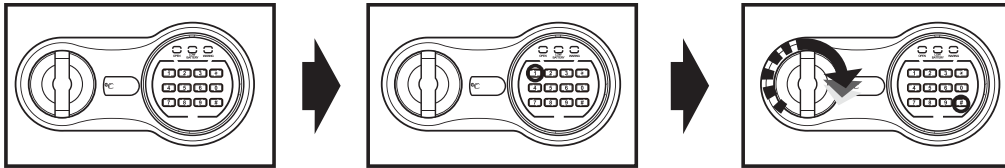
1. Open the door.
2. Insert 4 x AA batteries into the battery compartment.
3. Under normal conditions, both red and green lights are on at the same time.
It means the voltage is low, and you should insert new batteries.

Caution: Replace the 4 batteries by aligning them with the "+" and "-" signs. You should reset the user's code after replacing the batteries.

OPENING THE DOOR

1. Input your user's code (3 to 8 digits). Each press results in one beep, and the yellow light flashes.
2. Press "#" or "*" Confirming button; the green light will turn ON.
3. Rotate the knob (master key) clockwise and pull outwards within 5 seconds to open the door.

Caution: The user preset code is "159." Please input the user code again if the yellow light flashes with beeps.



CLOSING THE DOOR

Turn the knob (master key) counterclockwise to close the door.

AUTOMATIC LOCK

Three continuous wrong entries will activate the warning beeps.

CAUTION: The keypad will be disabled during the beeping. You can only stop the beeps by opening the safe with the emergency key and cutting the power by removing the battery.

SETTING THE USER CODE

1. Open the safe, press the reset button, and start setting the code when the yellow light goes on.
2. Input a new code (3-8 digits) and press the "#" or "*" button to confirm with beeps, indicating the acceptance and storage of the new code.
3. If the yellow light flashes with beeps, the code change is not effective, and you need to try again.

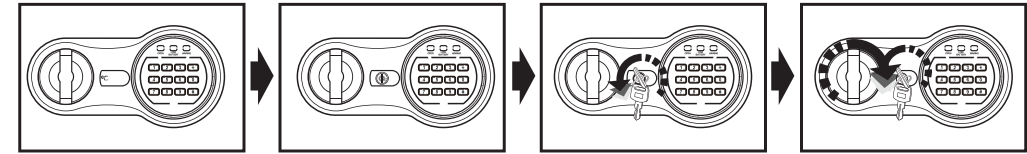
SETTING THE MASTER CODE

1. Open the safe, input "0" twice, and press the reset button. Start setting the code when you hear beeps and the yellow light goes on.
2. Input the new master code (3-8 digits) and then press the "#" or "*" button to confirm. It will be confirmed by beeps, indicating successful setting.
3. If the yellow light flashes with beeps, it means the new code is invalid, and you should try again.

OPENING THE SAFE WITH THE EMERGENCY KEY

When you first receive the safe, or in case of electronic circuit malfunction or unknown codes, you can use the emergency key to open the safe.

1. Remove the cover of the emergency key lock.
2. Insert the emergency key, turn it counterclockwise, and then turn the knob (master key) clockwise to open the door.



MOUNTING METHOD

- A.** Select a stable, dry, and secure location for your safe.
- B.** If bolting to a wall, ensure that your safe is resting on a supporting surface, such as the floor or a shelf. Do not bolt your safe to both the floor and wall.
1. Place the safe in the selected location. Use a pencil to mark the mounting holes on the floor or wall.
2. Move the safe and drill 2-inch-deep mounting holes (approximately 50mm) using the appropriate drill bit.
3. Return the safe to its original position, aligning the mounting holes with the openings in the safe. Insert the expansion bolts (included) through the holes and into the mounting holes, then tighten them securely. For any assistance, please consult your local distributor.

