

# SereneLife



## *SLFTRD35*

### Foldable Treadmill

Home Gym Foldable Treadmill  
with 15 Auto-Selectable Incline Levels

USER MANUAL

## IMPORTANT

Before installation and operation, please read this operation manual carefully and save this manual for future reference.

### ***Safety Precautions***

Please keep this manual for future reference.

1. Before commencing assembly and use of your new Treadmill, carefully read the instruction manual to understand the information provided. The correct installation, maintenance and use of your Treadmill is important to ensure you get the safest and most effective fitness workout.
2. Please ensure the equipment has been assembled according to the assembly manual.
3. If you are over 45 years old, have health or medical problems and/or this is your first time exercising in over 12 months, please consult your local Doctor or Medical Professional before use.
4. **Should you experience any of the following symptoms including:** headache, chest tightness, irregular heartbeat, shortness of breath, dizziness, nausea or any sharp muscle or joint pain, immediately stop training and consult your Doctor or Medical Professional.
5. Ensure that young children and pets are kept away from the equipment to prevent injury, the equipment is for adult use only.
6. The equipment should be placed on a hard, flat surface and at least 0.5 meters away from any obstacles.
7. Before using the equipment, please check all nuts and bolts of the Treadmill are tightened securely.
8. Do not place the treadmill in rooms or areas that are exposed to high levels of moisture i.e. outside, near heated indoor pools/spas, non-insulated garages or rooms.
9. It is strongly recommended you wear appropriate clothing and footwear when using your Treadmill for your own personal comfort.
10. The equipment is not suitable for use as a medical device.

## ***Directions for Use***

In order to avoid an accident, please ensure you have the treadmill safety key securely attached to your clothing. In the event, that you accidentally trip or slip whilst walking or running on the treadmill, removing the safety key from the console will ensure the power is paused to the motor bringing the belt to a stop. Re-attach the safety key to commence your workout.

When exercising on the treadmill concentrate on looking straight ahead and not at your feet, to avoid any risk of tripping or falling. Increase the speed gradually allowing yourself to adapt to the speed setting before making any further speed adjustments.

To pause or stop your treadmill use the emergency stop button or safety key when necessary.

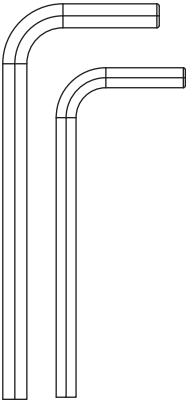
Once you have completed installation of the treadmill and the motor cover is securely on, you may plug in the power cord. It is recommended you use a good quality surge protector device.

1. Position the treadmill on a clean and level surface, close to a dedicated wall socket power point. A rubber floor mat is recommended to assist with maintenance and protection of your floor.
2. For your safety, never start the treadmill while you are standing on the running belt. Place your feet on either side of the running belt side rails and press the start button. Increase the speed gradually to the desired speed level before standing on the belt surface.
3. Wear appropriate clothing and footwear when exercising on the treadmill. Do not wear long, loose fitting clothing that could become caught in any of the moving parts of the treadmill.
4. Always wear the safety key attachment.
5. The motor cover should never be removed while in use. A qualified electrical technician must be in attendance should any maintenance work need to be carried out. Always unplug the power cord should the cover ever need to be removed for maintenance reasons.
6. Young children should be kept away from the treadmill whilst it is in use to avoid injury and safety concerns.

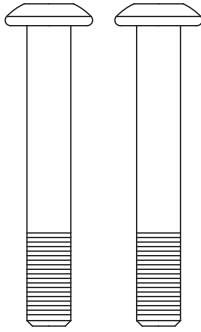
## Assembly Instructions

We recommend 2 people assist in assembling this unit. Place all parts of the Treadmill in a cleared area and remove the packing materials. Do not dispose of the packing materials until assembly is completed. Before you start installation inspect and prepare all parts and screws featured in this manual. When you open the cartons, you will find the following parts.

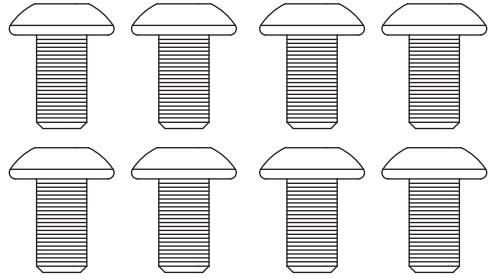
**S1**



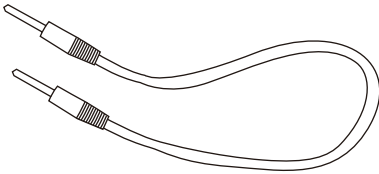
**S2**



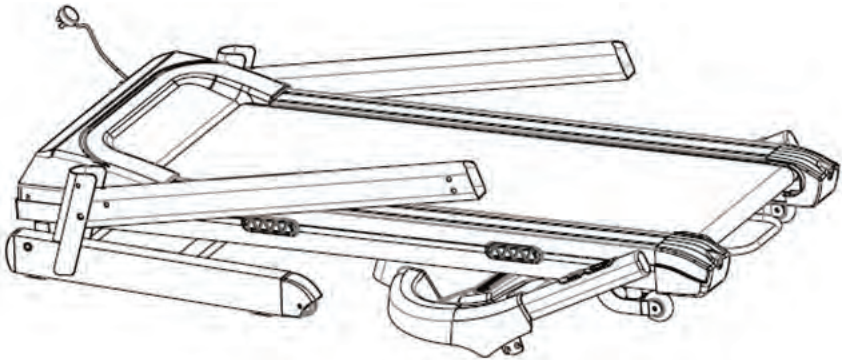
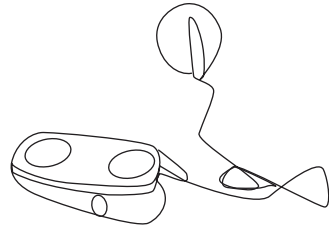
**S4**



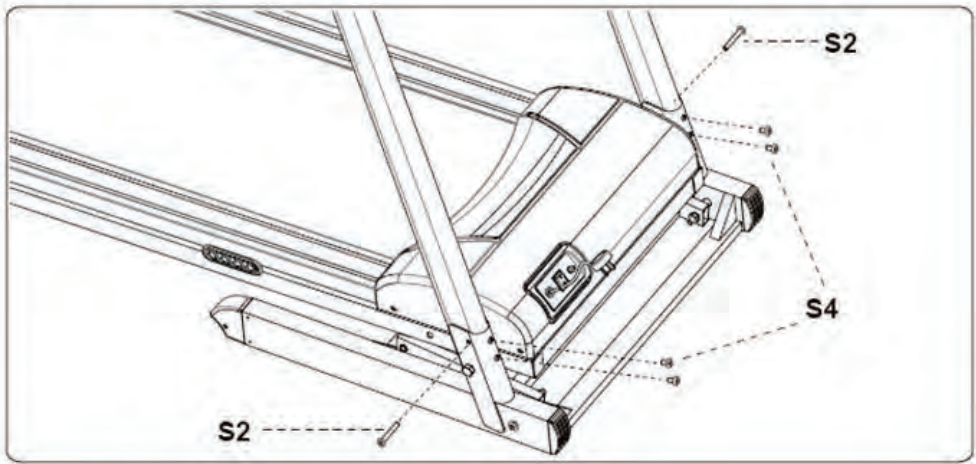
**S7**



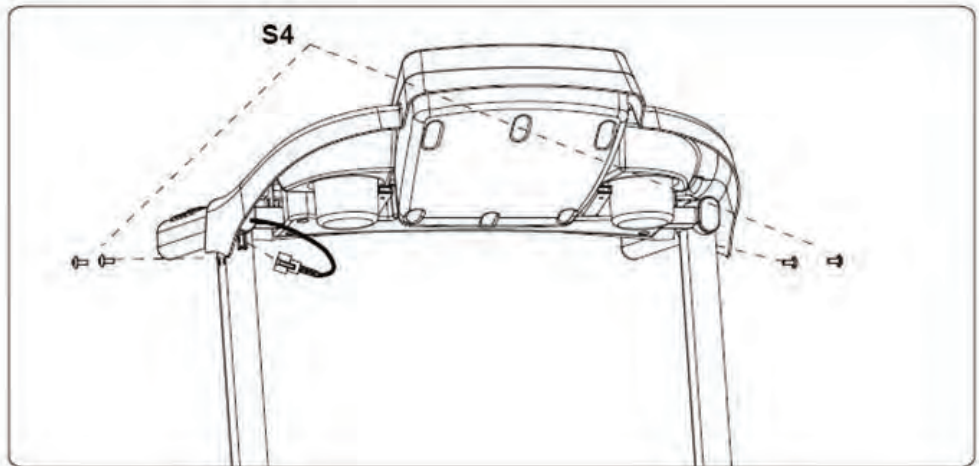
**S8**



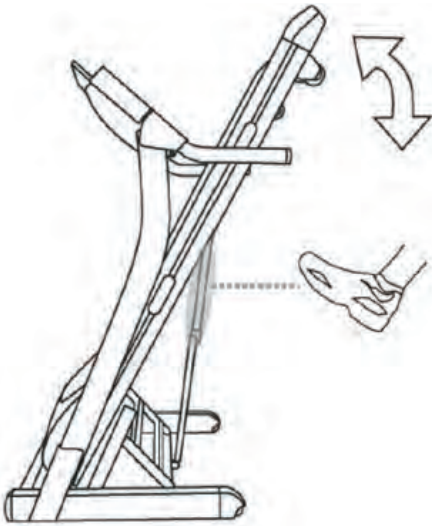
**Step 1**



**Step 2**



## Moving & Storage Instructions

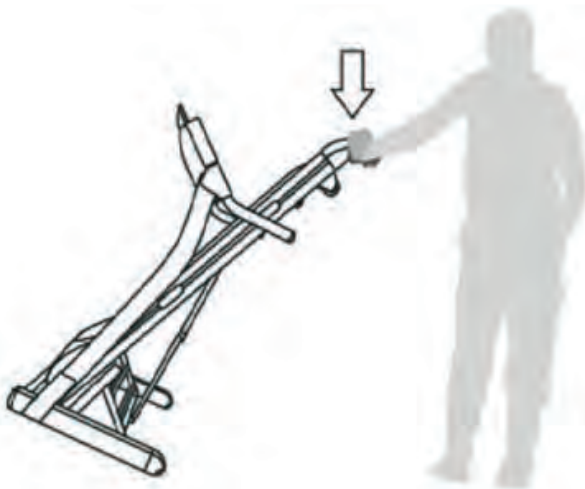


### Folding away your Treadmill

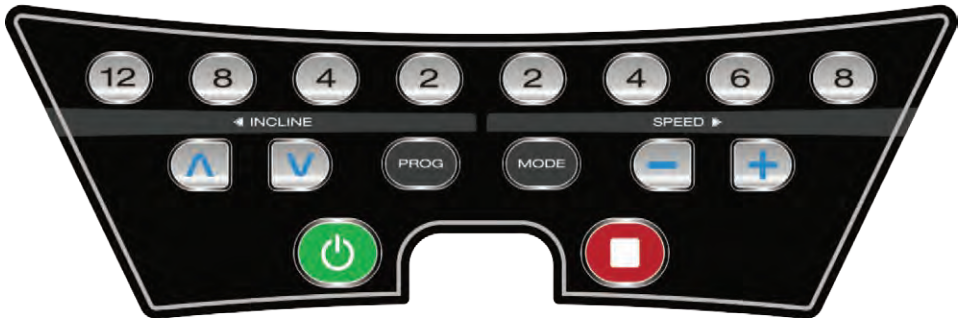
- A.** Turn **OFF** the treadmill, switch off at the main power switch and pull out the plug.
- B.** Lift the treadmill deck up towards the main console. You should feel the treadmill gas spring system engage.
- C.** To lower the treadmill deck, press the gas spring system in with your foot to disengage the lock. The treadmill deck can now be lowered to the ground.

### Moving your Treadmill

The treadmill can then be moved by tilting the treadmill deck towards you onto it's transportation wheels. (Please ensure the power cord cable has been disconnected from the treadmill before attempting to move it).



# Operation Instructions



## Display Functions

<b>TIME</b>	<p><b>No Set Target Time</b> - TIME will count up from 00:00 to maximum 99:00 with each increments is one minute.</p> <p><b>Using Set Target Time</b> - TIME will count down from Preset Value. Each preset Increment is one minute between 5:00 to 99:00 minutes.</p>
<b>SPEED</b>	Display current training speed from 0.6 to a maximum of 10.0 MPH.
<b>DISTANCE</b>	<p><b>No Set Target Distance</b> - DISTANCE will count up from 0.00 to a maximum of 99.5 mile with each increment 0.1 mile.</p> <p><b>Using Set Target Distance</b> - DISTANCE will count down from preset Value. Each preset increment is 0.5 mile between 0.5 to 99.5.</p>
<b>CALORIES</b>	<p><b>No Set Target Calories</b> - CALORIES will count up from zero to maximum 995 with each increment 1 cal.</p> <p><b>Using Set Target Calories</b> - CALORIES will count down from preset value. Each preset increment is 5 cal from 10 to 995 cal.</p>
<b>PULSE</b>	Hold the hand sensor tight and the console will detect your pulse signal. When monitor is reading your heart rate signal, the HEART SYMBOL will flash on the console.



## Function Buttons

- 1. MODE:** To confirm all settings and to enter exercise modes.
- 2. Speed + :** To select training mode and adjust the function value up.
- 3. Speed - :** To select training mode and adjust the function value down.
- 4. START/STOP:** To start or stop your workout.

### POWER ON:

Plug the main power cord in a grounded wall outlet, please make sure the power matched. Ensure the '**Safety Key**' is in the correct position and inserted properly in the console.

### QUICK WORKOUT:

User can start a workout by pressing the '**Quick Select**' button for either Speed or incline.













There are 4 '**Quick Select**' buttons for both Speed and Incline – 2 MPH to 8 MPH for speed options and 2% to 12% for Incline options.

You can use Quick Workout (the speed and incline) during your workout,- press '**START**' to begin your workout.

If you need to stop the treadmill during your workout, press '**STOP**' or pull out the Safety Key.

### PROGRAM MODE

This treadmill console has 12 Preset Workout Programs to choose from (see below for breakdown of each Program). When in **PROGRAM** mode, use PROGRAM button to select your chosen workout – P1 TO P12. Press **START** button to confirm and start your workout.

P1		WARM-UP	P7		TIME GOAL
P2		RANDOM	P8		DISTANCE GOAL
P3		5K RUN	P9		CALORIES GOAL
P4		COMPETITION	P10		MOUNTAIN CLIMB
P5		WEIGHT - LOSS	P11		BEACH SPORT
P6		HILL	P12		CROSS COUNTRY RACE

## **Getting Started**

**PREPARE:** If you are over 45 years old, have health or medical problems, or this is your first time exercising, please consult your local Doctor or Medical Professional before use.

Before using your treadmill, become familiar with the console operation buttons by reading the operation manual carefully. To start, place both feet either side of the running belt surface on the plastic side rails and press the 'Start' button, making sure you have attached the treadmill safety key to your clothing. Never attempt to start the treadmill whilst standing stationary on the running belt surface. Once the running belt is in motion, use the +/- speed adjustment buttons to increase the speed before stepping onto the running belt. After adapting to the walking speed, you can now adjust the speed to the desired pace you wish to exercise it.

**EXERCISE FREQUENCY:** Depending on your fitness level, start your workout programme with a gradual warm-up for at least 5-10 minutes before increasing the speed or elevation on your treadmill. Maintaining frequency and durations of your workouts each week is an important first step in your workout program. Aim to complete 3 x 20-30 minute workouts per week, increasing the intensity of the workouts as your fitness level allows.

**As your fitness level improves, you can either:** increase the frequency and/or duration of your workouts, or adjust the speed levels to increase your workout intensity each session. Consult a professional trainer for further information on training programs and/or goal specific workouts on your treadmill. Should you feel any discomfort, dizziness, nausea, tightening of the chest stop your workout immediately and seek medical attention.

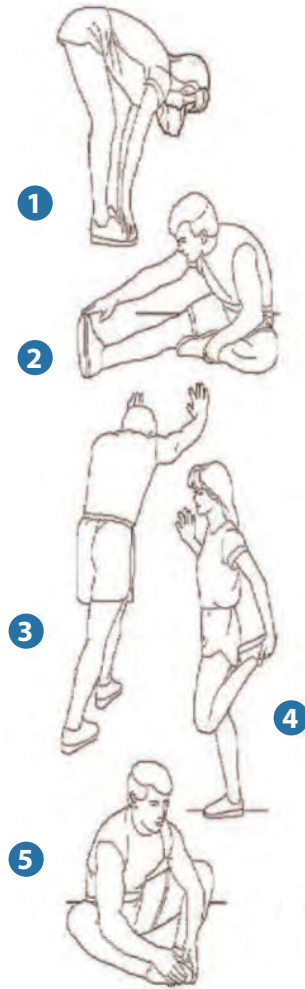
**AMOUNT OF EXERCISE: SHORTCUT----**The best way to save time is to exercise for 15-20 minutes. Warm up for 2 minutes at 4.8 km/h, gradually add 0.3 km/h to your speed per 2mins, until you feel your breath quickening but without having difficulty breathing. Keep this speed, if it feels uncomfortable, please reduce by 0.3 km/h. Use the last 4 minutes to reduce speed as a warm down. If you feel it is hard to increase speed, then you can add more intensity to your workout.

### **CLOTHING:**

Please wear comfortable clothing and footwear suitable for exercise.

## Warm-Up Exercise

Warm up exercise is important in preparing the muscles for activity whilst minimising the risk of injury. You may choose to warm up with a light/brisk walking pace for 5-10 minutes before stopping and performing some simple stretches. (As shown in the pictures below)



- 1. Hamstring Stretch (Standing):** Keep your knees slightly bent and slowly lean forward, back and shoulders relaxed, reaching towards your toes. You should feel the tension and slight discomfort in your hamstring muscles. Hold for 15 - 20 seconds. Repeat 2-3 times.
- 2. Hamstrings Stretches (Seated):** Sitting on the floor preferably on a mat, put one leg straight, the other inward and close to the inside of the straight leg. Lean forward from the hips, reaching towards your toes. Hold for 10-15 seconds, and relax. Repeat 3 times for each leg (See picture 2).
- 3. Calf Stretches:** Standing with two hands on the wall or tree, one leg behind. Keeping your legs straight and the heel on the ground, lean forward towards the wall or tree. Hold for 10 -15 seconds, and relax. Repeat 3 times for each leg (See picture 3).
- 4. Quadriceps Stretches:** Keeping your balance with your left hand holding onto a wall or stationery fixture, grasp your right foot with your right hand and stretch your right heel toward your buttocks slowly, until you feel the stretch in the front of your thigh. Hold for 10 - 15 seconds, and relax. Repeat 3 times for each leg (See picture 4).
- 5. Sartorius (Inner Muscles of the Thigh) Muscle Stretches:** Sitting down with the soles of your feet or shoes together and your knees positioned outward. Pull your feet towards your groin until you can feel the stretch. Hold for 10 -15 seconds, and relax. Repeat 3 times (See picture 5).

## ***Maintenance Instructions***

### **WARNING:**

Before cleaning or carrying out any maintenance on your treadmill, ensure the power is turned off and the power cord removed from the plug socket.

At least once a year, the motor cover on your treadmill should be removed and any dust or debris vacuumed up to maintain the smooth operation of the motor and drive system.

### **CLEANING:**

General cleaning the unit will greatly prolong the treadmill's working life. Keep the treadmill clean by dusting regularly. Be sure to clean the exposed parts of the deck surface on both sides of the walking belt and also the side rails. Make sure the soles of your shoes are clean, this reduces the build up of foreign material underneath the running belt. The top of the belt can be cleaned with a slightly damp cloth. Be careful to keep liquid away from the electrical components and underneath the running belt.

The belt/ deck friction may play a major role in the function and life of your treadmill, thus requiring periodic lubrication. We recommend a periodic inspection of the deck.

We recommend lubrication of the deck according to the following timetable

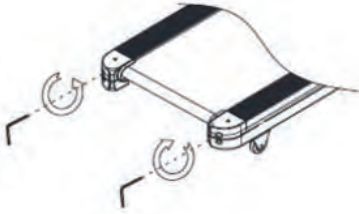
- Light user (less than 3 hours/ week) annually
- Medium user (3-5 hours/ week) every six months
- Heavy user (more than 5 hours/ week) every three months

Treadmill lubricating oil can be purchased from your nearest Fitness store or our Service Department.

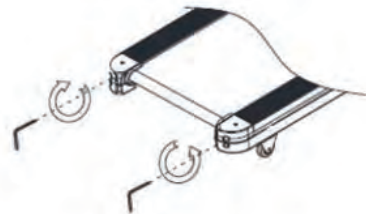
1. In order to maintain and prolong the working life of your treadmill, we suggest you power off the treadmill for 10 minutes after every 2 hours of running use.
2. A loose running belt may slip when you are running and may require a small adjustment; if the running belt is over tightened it can affect the performance of the motor and add extra wear to the rollers. For ideal tension, the running belt can be lifted 50-75mm from the central part of the running deck.

## **BELT ADJUSTMENT**

- Place treadmill on a level surface.
- Run the treadmill at 6-8km/h.
- If the belt has drifted to the right, turn the right bolt clockwise a 1/2 turn and turn the left bolt anticlockwise a 1/2 turn (Picture C).
- If the belt has drifted to the left, turn the right bolt anticlockwise a 1/2 turn and turn the left bolt clockwise a 1/2 turn (Picture D).



**Picture C**



**Picture D**

- Test for at least 15 seconds at 4km/h (check and adjust a further quarter or half turn until the belt is centred).

**NOTE:** The running belt should not be tightened too hard as this can cause noise and damage the machine.

### **STORAGE:**

Remember to store the treadmill in a dry place and not to pile things on top of it.

### **Compatible Fitness Application**



### **ANDROID:**

Download your favorite application from Google Playstore.

### **iPad/iPhone:**

Download your favorite application from the AppStore.

Check if your mobile device confirms the requirements of the application. The requirements of each application are shown in the Google Playstore or AppStore.

### **How to Use:**

- Turn ON the Bluetooth function of your mobile device.
- Open the application on your device.
- Click on in the main menu on the button "Indoor" to search for available devices.



Choose the shown device from the list to pair it. Once the device is paired you can start using the application in different categories:

- **Quick Run**
- **Map Mode**
- **Target Mode**

Please understand that we are not able to offer you a complete operation guide of the application inside this manual, as the app will be updated from time to time. This process can make changes to the operation or the design of the application.

Please refer to the instructions inside the specific app download download store or contact us.

---

## **SLFTRD35** **Foldable Treadmill**

### **Home Gym Foldable Treadmill with 15 Auto-Selectable Incline Levels**

#### **Features:**

- Get Connected with the 'iFitShow' App
- Pairs to Your Device via Bluetooth Connectivity
- Running & Training Data Statistics Readout
- 15 Auto Selectable Inclined Levels for Runner Difficulty
- Built-in Hand Grip Sensors for Pulse Monitoring
- 5" Digital LCD Display Screen with Touch Button Controls
- Displays Run Time, Distance, Speed, Calories Burned, Heart Rate

- Adjustable Speed Settings
- Selectable 12 Preset Training programs
- Simple Electric Motorized Plug-in Design
- Convenient Folding Style for Easy Setup & Storage
- Used for Walking, Jogging, Running, Exercise, Training
- Perfect for Weight Loss, Cardiovascular Fitness, Endurance & Stamina Building
- Integrated Safety Key, Emergency Power Off
- Removable Book / Tablet Device Holder
- 4 cushion deck absorption system
- MP3, USB Flash, SD Card Port
- Built-In Speakers for Auxiliary Devices

### **The 'iFitshow' App:**

- Train Smarter and Connect via Your Favorite Device
- Works with Smartphones, Tablets, Laptops, etc.
- Free to Download via Your Smartphone
- Multifunctional Sports App
- Connect to the Treadmill via Smart BTM Bluetooth
- App Provides Access to Exercise Activities
- Linked to 'HealthKit' to Record and Collect Activity Data
- Easily Share Health and Fitness Data via Social Media
- Available for iOS and Android

### **Bluetooth Connectivity:**

- Hassle-Free Pairing, No Password Required
- Compatible with All of Today's Latest Bluetooth Devices (Smartphones, Tablets, Laptops, Computers, etc.)
- Bluetooth Version: BLE4.0
- Wireless Range: Up to 16.4' ft.

### **Technical Specs:**

- Motorized Treadmill Motor Power: 2.5HP
- Running Belt / Running Surface Size (L x w): 47.25" x 16.54" -inches
- Motor Power: 2.5 HP
- Adjustable Speed: 0.6 – 10 mph
- Maximum Weight Support: Up to 265 lbs.
- \*Some Assembly Required
- Power Supply: 100-120V
- Total Folded Dimensions (L x W x H): 35.62" x 28.35" x 55.90" -inches
- Total Open Dimensions (L x W x H): 61.41" x 28.35" x 50.78" -inches
- Assembled Weight: 116.85 lbs.



SereneLife