

SLFWRCK

Firewood Rack Holder

For Outdoor and Indoor Fireplace, Heavy Duty
Wood Stackers Storage Organizer Log

serenelife™

USER GUIDE

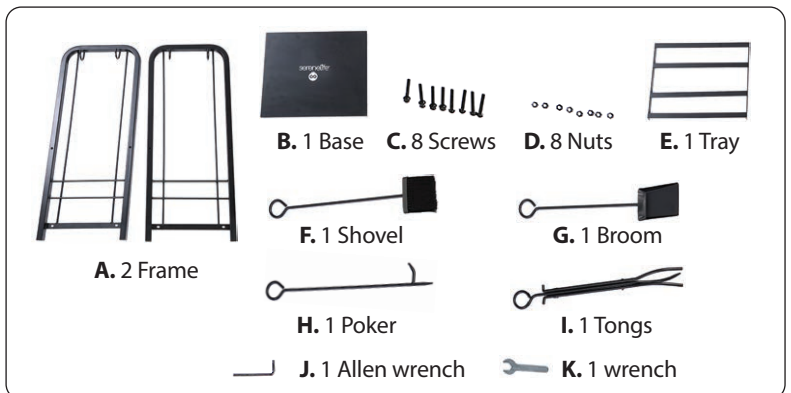
Features:

- Sturdy Construction
- Easy to Assemble
- Made of Excellent Quality Metal
- Black Powder Coated
- Stable Enough to Hold up to 220 lbs.
- Designed with 2 sturdy, organizational storage shelves to Keep Firewood Dry
- Suitable for any Seasons
- Perfect for Outdoor Back Porch, Deck, Backyard, Indoor Fireplace
- Provides you with ergonomic handles, integrated hooks, and a full toolset including a shovel, brush, poker, and tong for all your log keeping needs



What's in the Box:

- (2) Frame
- (1) Base
- (8) Screws
- (8) Nuts
- (1) Tray
- (1) Shovel
- (1) Broom
- (1) Poker
- (1) Tongs
- (1) Allen wrench
- (1) Wrench

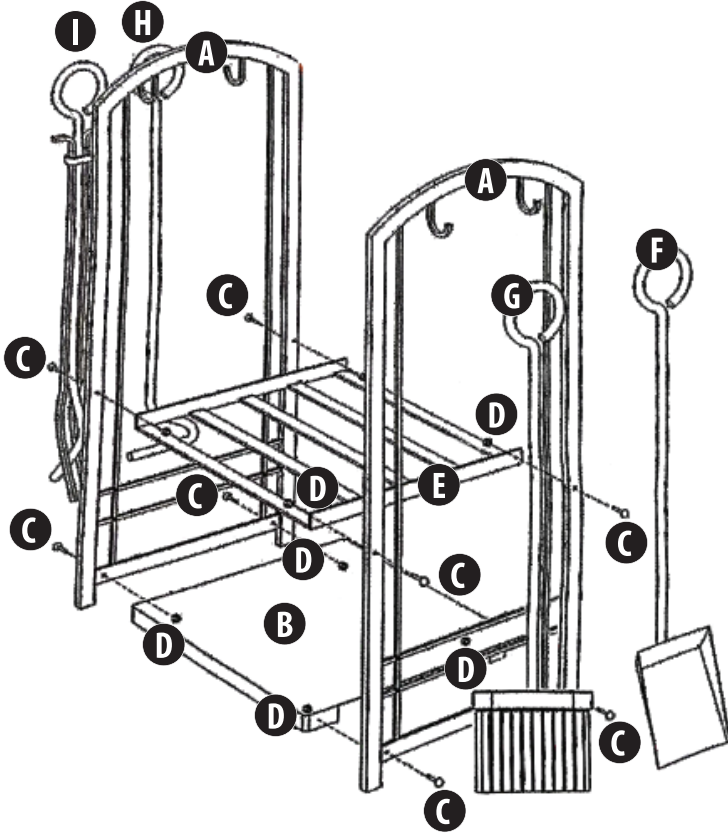


Technical Specs:

- Construction Materials: Steel
- Weight: 19.1 lbs.
- Product Dimensions (L X W X H): 15.7" x 11.8" x 29.5" -inches

Assembly Instructions

1. Remove all contents from package.
2. Place the base (B) in the middle of the two frames (A).
Align its holes with those on the frames. Secure 4 screws (C) with 4 nuts (D).
3. Place the tray (E) in the middle of the two frames (A).
Align its holes with those on the frames. Secure 4 screws (C) with 4 nuts (D).
4. Now hang all of your tools (F-I) on the hangers of the frame (A).



California Prop 65 Warning

WARNING:

This product contains Lead And Cadmium which is known to the state of California to cause cancer birth defects and other reproductive harm. Do not ingest.

For more info go to: www.P65warnings.ca.gov

Questions? Comments?

We are here to help!

Phone: (1) 718-535-1800

Email: support@pyleusa.com