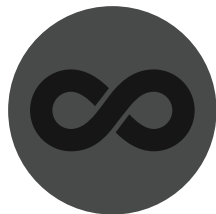


serenelife™



Questions? Comments?

We are here to help!

Phone: (1) 718-535-1800

Email: support@pyleusa.com

serenelife™



SLGLF120

Smart Indoor Garden

LED Grow Light with Hydroponic Boxes

User Manual

Read all instructions before using this Smart Indoor Garden.

SAFETY INSTRUCTIONS:

- This product is intended for household and residential use only.
Do not use outdoors.
- **IMPORTANT SAFETY INSTRUCTIONS:** This portable luminaire has a polarized plug (one blade is wider than the other) as a feature to reduce the risk of electric shock. This plug will fit in a polarized outlet only one way. If the plug does not fit fully in the outlet, reverse the plug. If it still does not fit, contact a qualified electrician. Never use with an extension cord unless plug can be fully inserted. Do not alter the plug.
- Unplug the **Smart Indoor Garden** from the power outlet before making any changes to the product.
- Never operate the **Smart Indoor Garden**, if it has been dropped or damaged.
- Do not place or submerge **Smart Indoor Garden** in water or other liquid to clean it.
- Do not use near heat or gas source.
- For **ON/OFF** manual control of the lights, use the switch located on the power cord.

STATEMENT:

This device complies with part 15 of the FCC Rules. Operation is subject to the following two conditions: (1) This device may not cause harmful interference, and (2) this device must accept any interference received, including interference that may cause undesired operation."

Notice:

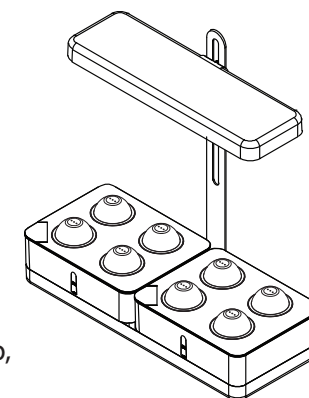
The product only provides the necessary light for growth of plant. Reasonable moisture, nutrients, temperature and timely maintenance and other essential factors are also necessary to maintain the health of plants.

GARDENING TIPS:

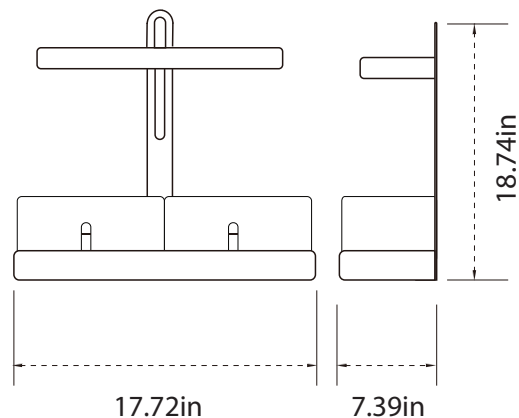
1. Suitable for operation in ambient not exceeding 40°C or 104°F
2. Keep the lighting panel 1"-2" above the plants to make sure they get the right amount of light.
3. Remove the transparent domes when the seedlings touch the domes.
4. **Suggested plants to grow**
Herbs: Basil, Thyme, Peppermint, Lemon balm, Catnip, Sage, Dill, Coriander.
Vegetables: Romaine Lettuce, Red Sails Lettuce, Micro Tom Tomato.
Flowers: Petunia, French Marigold, Garden Balsam, English Daisy, Viola Tricolor.
For **lettuce** we suggest to put 1-2 seeds into each pod, for herbs we suggest to put 1-3pcs. For tomatoes or radish, we suggest to put 1 seed into each pod. Check the seed packet for information regarding temperature and days to germination. The number of seeds also depends on germination rate and personal preference.
5. Before grow seedlings, leave the water level at Min. and no more water. When seedlings are growing up, middle water level is recommended. You may have overwatered your garden, it is very important that water not exceed the Max scale. If your smart soils are still too wet, you can lower the water level below Min. or take the soil out to dry for 1-2 days.
6. The smart soils themselves are already integrated with nutrients, the nutrients inside will last at least 3 months for greens and herbs. For fruiting plants, plant food may be required within 3 months if you find the plant stop growing bigger or fruiting.

Note:

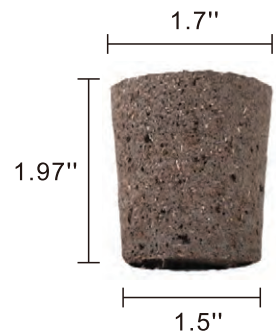
The space lids are used to cover the holes on the grow deck where you don't want to grow anything sometimes and these lids can also efficiently prevent algae growth.



DIMENSIONS



COMPOSITION OF THE SMART SOIL

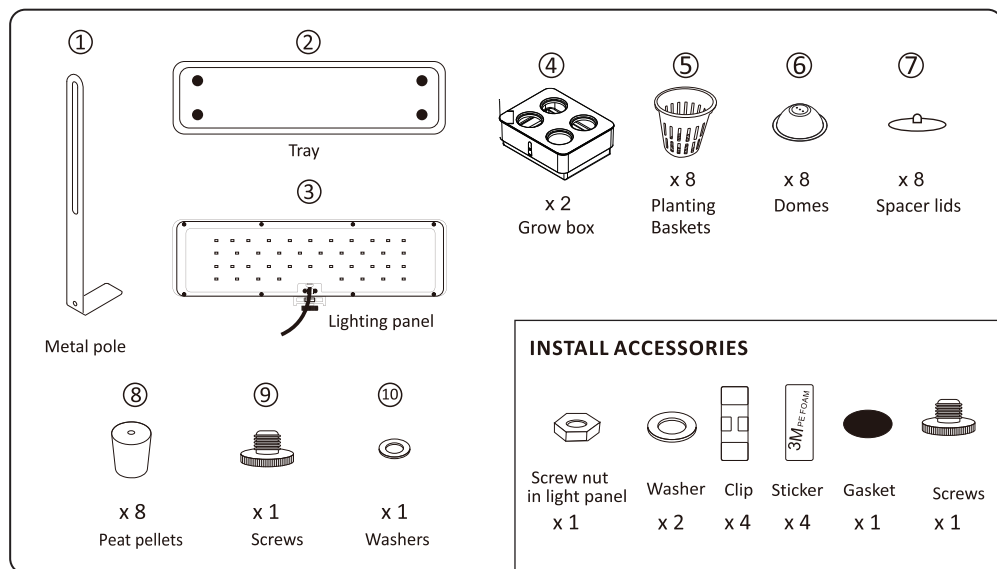


45-55% (4.5-5.5g) Polyurethane sponge.

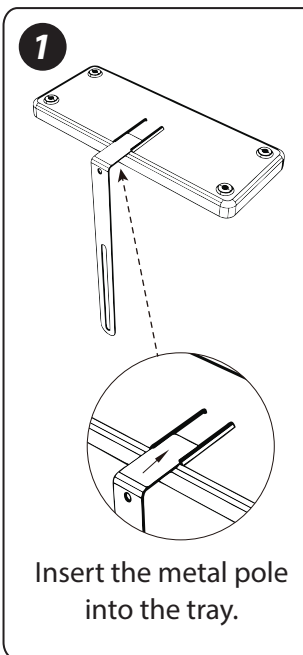
25-35% (2.5-3.5g) Canadian imported sphagnum peat moss.

15-25% (1.5-2.5g) Sri Lanka imported coconut coir fiber And we have 1-2g Osmocote Controlled Release Fertilizer inserted into this soil.

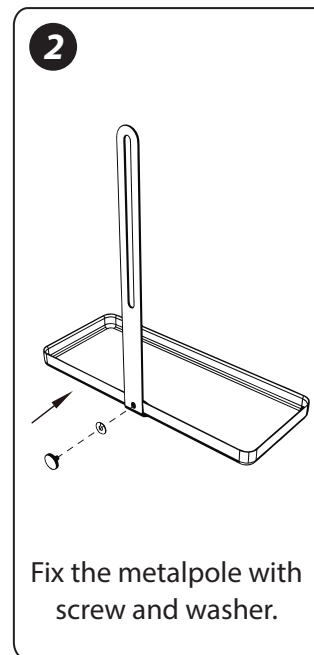
INCLUDED IN PACKAGE



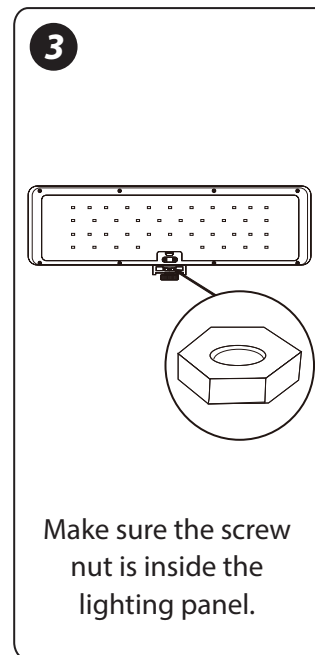
ASSEMBLY GUIDE



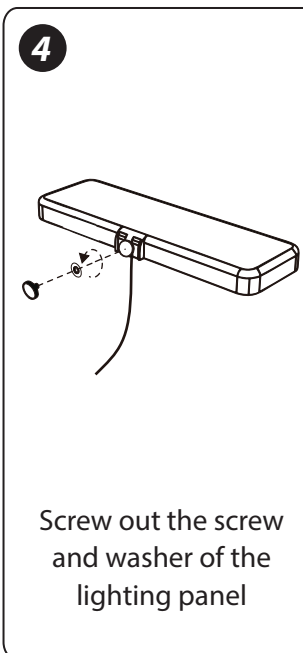
Insert the metal pole into the tray.



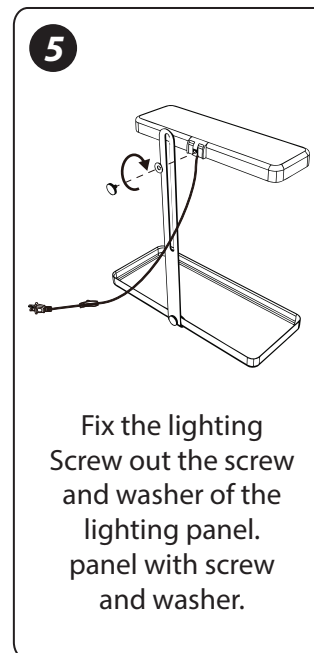
Fix the metal pole with screw and washer.



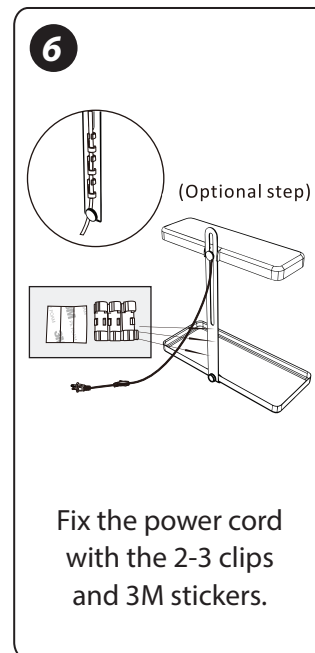
Make sure the screw nut is inside the lighting panel.



Screw out the screw and washer of the lighting panel



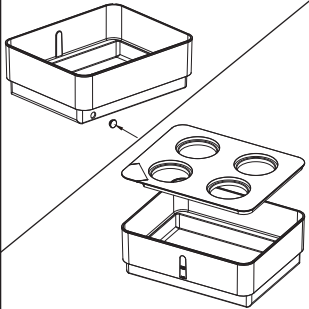
Fix the lighting panel with screw and washer.



Fix the power cord with the 2-3 clips and 3M stickers.

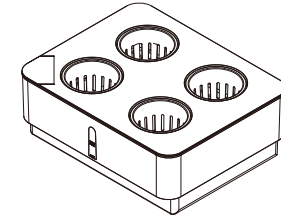
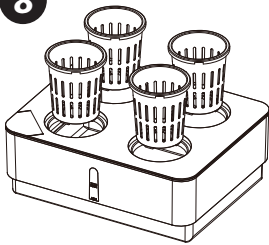
7

Check if the silicone seal is well on the box.



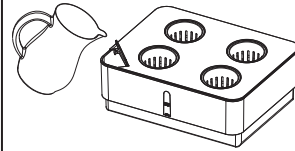
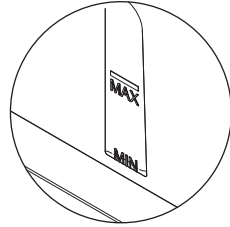
Put on the box growing deck

8



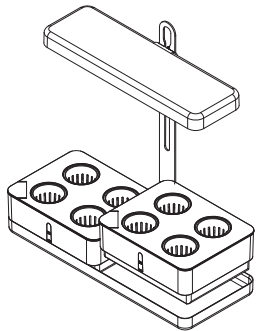
Put all the baskets into the holes on the grow deck

9



Put some water to MIN scale

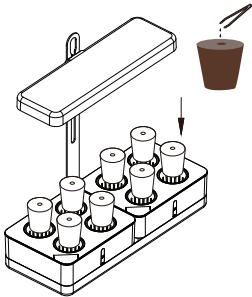
10



Put the grow box into the fixture.

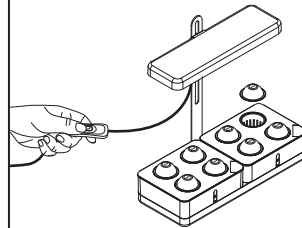
11

Small holes are on the top for seeds



Put all the smart soils into the planting baskets and put 1-3 seeds into the soils. (seeds are not included)

12



Keep all the domes above the baskets until your seedlings reach the domes.

FEATURES:

- Up to 8 Plants Grow at a Time
- Up to 13" Inches Tall with this Indoor Garden
- No Soil, No Mess
- Easy to Use
- Height Adjustment
- Self Watering Plant
- 16 Hours On, 8 Hours Off Automatically
- LED Grow Lights
- For Indoor Use Only
- Energy Efficient LED Grow Lights for Faster Growth
- Simple Reminders Take the Guesswork Out of Growing
- Sprouts in Days, Harvest in Weeks, Enjoy for Months

WHAT'S IN THE BOX:

- Metal Pole
- (2) Grow Box
- (8) Spacer Lids
- (1) Washers
- Tray
- (8) Planting Baskets
- (8) Peat Pellets
- Accessories
- Lighting Panel
- (8) Domes
- (1) Screw

CONSTRUCTION MATERIALS:

- Light Diffuser: PC
- Screw: Metal
- Light Cover: Engineered ABS
- Base: Engineered ABS
- Rod: Metal

TECHNICAL SPECS:

- Power Supply: 18W
- Working Temperature: 14 ~ 104°F
- Storage temperature/Humidity: -13 ~ 149°F/85%
- Input Voltage: 120V AC
- Input Current: 244mA (@120V/60HZ)
- Output Voltage: 60-68V typical data 61.8V
- Output Current: 250±10mA
- Spectrum: 3500K
- Frequency: 50/60Hz
- Life Time: 25,000 H
- IP Rate: IP20
- Product Dimensions (L x W x H): 17.72"x 7.68" x 18.74" -inches