

SLGZSEAT

Golf Push Cart Seat

Adjustable Height with Large Comfortable Seat

serenelife™

USER GUIDE

Assembly Instruction:

Before assembling, please confirm that you have the right amount of each part.

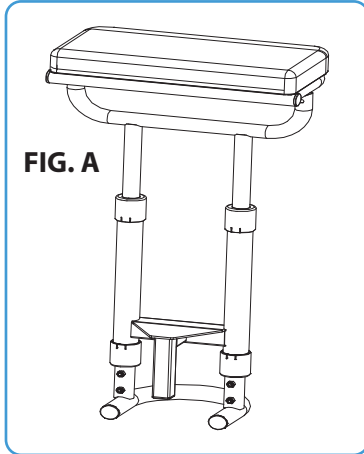


Fig. A Seat Assembly

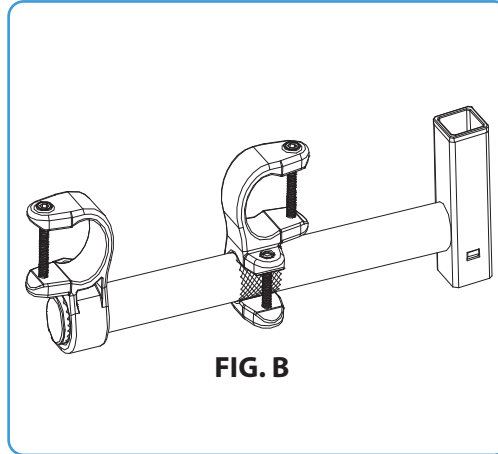
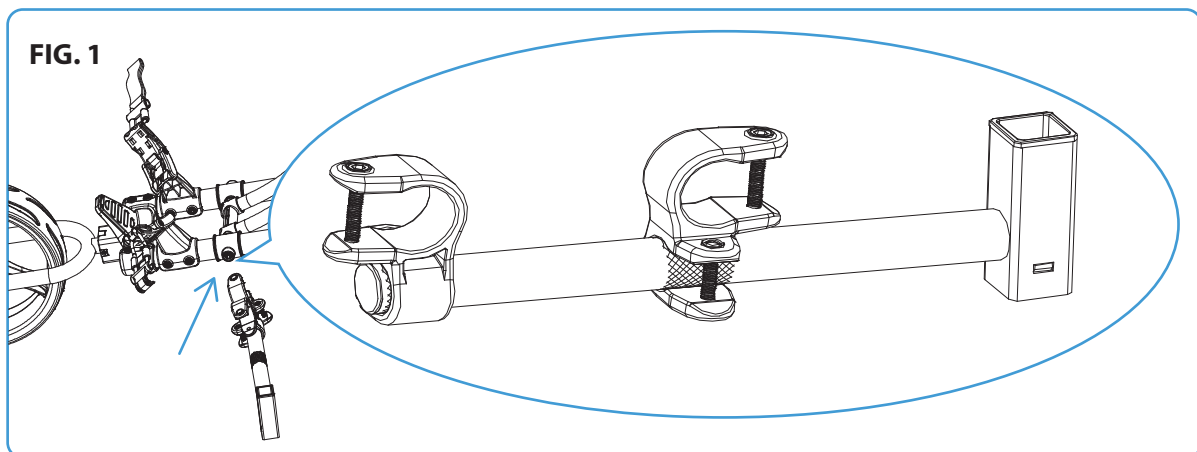
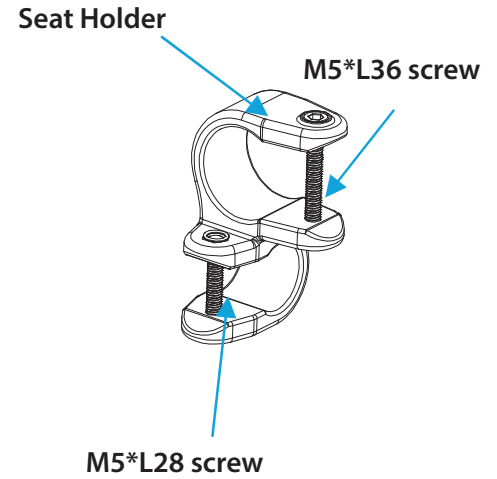
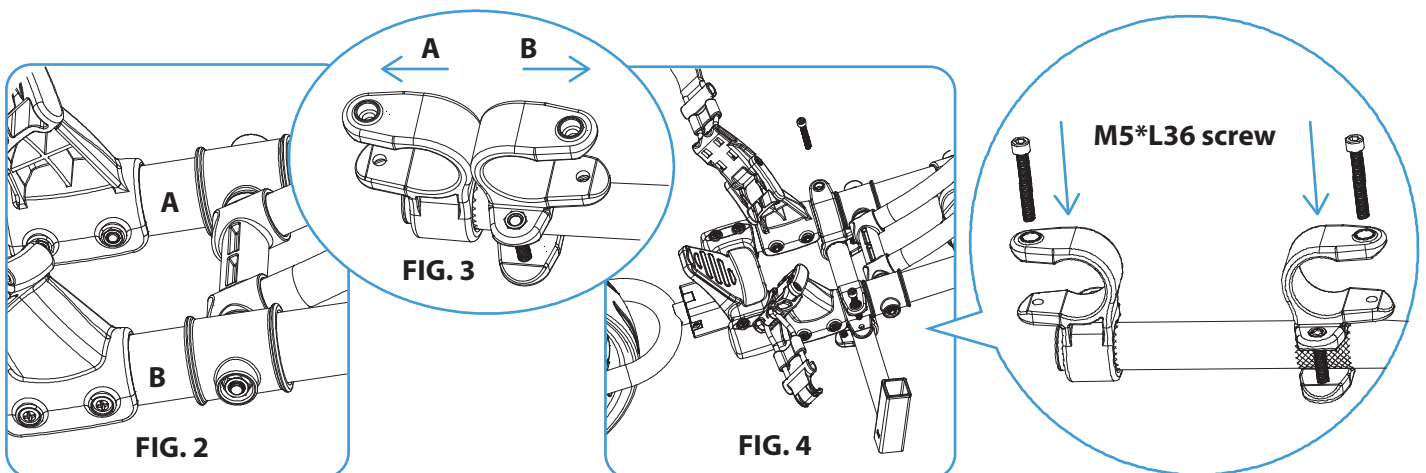


Fig. B Seat Holder frame and holders

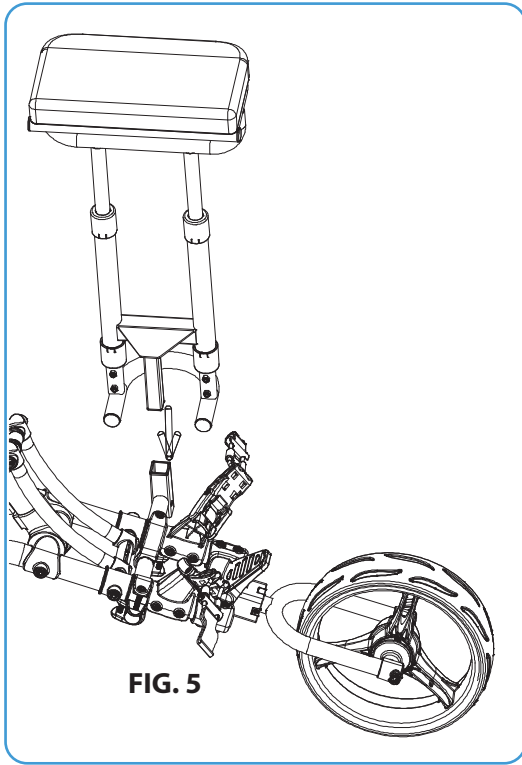


1. Assembly seat frame onto the trolley frame as FIG. 1.

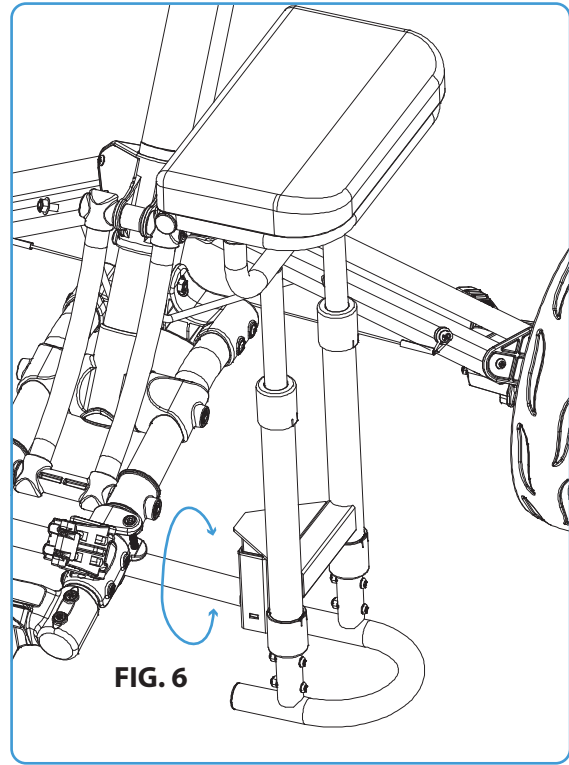


2. Assembly seat holders as FIG. 3 A and B onto FIG. 2 A and B frame.

3. Assembly seat frame onto the trolley frame as FIG. 4



4. Assembly seat set onto the seat frame as FIG.5



5. Adjust the seat so the seat is horizontal to the ground as FIG. 6

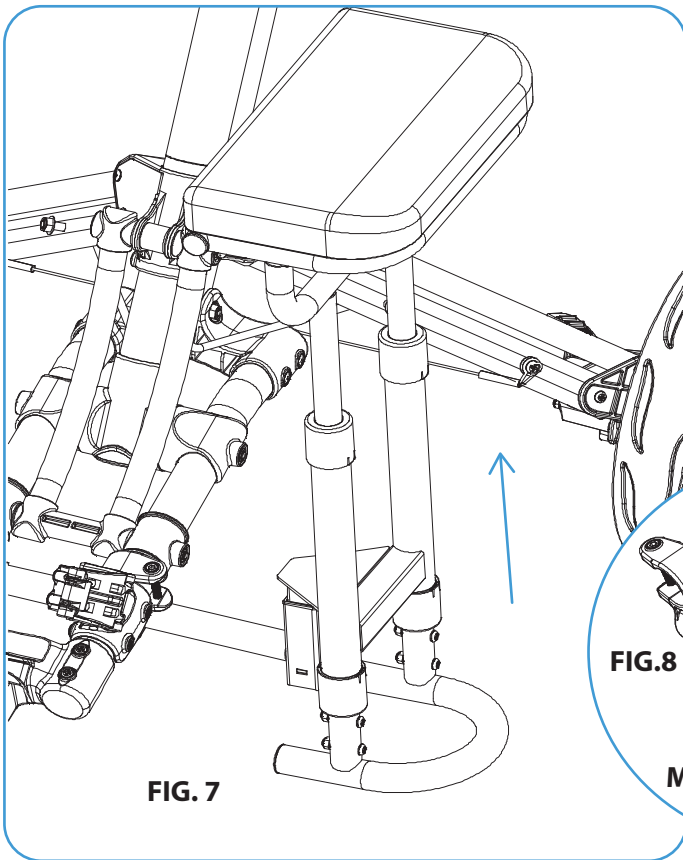


FIG. 7

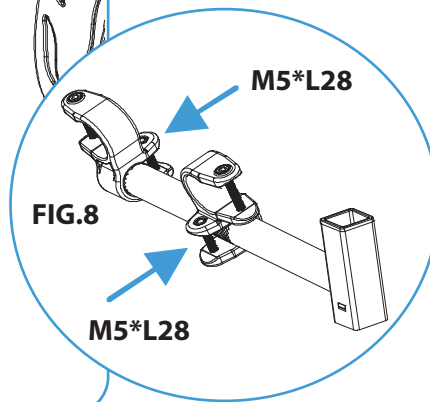


FIG.8

M5*L28

M5*L28



6. Remove the seat and tighten two M5*28L screws as FIG. 8 and replace the seat onto the seat holder frame. The seat installation is completed as FIG.7.

Questions? Issues?

We are here to help!

Phone: (1) 718-535-1800

Email: support@pyleusa.com