

# SereneLife

# Quest

SLKYK50AQA



SLKYK50AMO



***SLKYK50AQA - SLKYK50AMO***

**2-Person Inflatable Kayak Set**

with Aluminum Oars and High Output Air Pump,  
Carrying Bag and Repair Kit

***USER GUIDE***

## INTRODUCTION

The **SereneLife Quest Inflatable Kayak Set** is a limited time edition from the inflatable outdoor products corporation. Unlike a traditional kayak, it can be inflated and deflated as needed. Our high quality material and professional construction makes our kayak to maintain unrivaled stability and rigidity in the inflatable product category. Whether you're a Recreational kayaker that likes to get out on calm waters, an Angler that's looking for a versatile fishing machine, or a Paddler who likes to take extended trips across a variety of waters, we have built an inflatable kayak for you.

This manual has been compiled to help you operate your kayak with safety and pleasure. It contains details of the product, the equipments supplied, and information on it's operation and maintenance. **Please read it thoroughly before using it.**  
**Kayak sports can be very dangerous and physically demanding.**

The users of this product should understand participating in kayak sports may cause serious injury or death. If this is your first kayak, or you are changing to a type of craft you are not familiar with, for your own comfort and safety, please ensure that you obtain operating experience before using this product.

**PLEASE KEEP THIS MANUAL IN A SECURE PLACE AND HAND IT TO THE NEW OWNER WHEN YOU SELL THE CRAFT.**

## MANUFACTURE'S CERTIFICATION

The **SereneLife Quest Inflatable Kayak Set** comply with the ISO 6185 standard established by international organization for standardization.

## SAFETY CAUTION

- It is the owner's responsibility to carefully read the manual and instruct.
- Retain owner's manual for future reference.
- This is not a life saving device. Use only under competent supervision.
- Do not exceed the maximum capacities. Overloading is strictly prohibited.
- Never leave in or near the water when not in use.
- Always wear an approved life preserver.
- Uneven distribute the weight of passengers, gear, and accessories could result in danger.
- Use caution when stepping or climbing aboard the kayak.  
Step into the center of the kayak for maximum stability.

- Follow local water safety rules and boating regulations.
- Do not use your kayak if you suspect a puncture or leak.
- Not for white water rafting or any other extreme sports activities.
- Do not exceed your paddling ability.
- Do not over inflate; Never tow from another boat or vehicle
- Beware of offshore winds and currents.
- Do not use this product under the influence of alcohol or drugs.
- Do not paddle in flood conditions.
- Do not use in high wind, turbulent currents, white water or tides.
- Do not overinflate or use high pressure air compressor to inflate.
- Adults should inflate the chambers with cold air in numbered sequence.
- This boat not rated for propulsion by a motor.
- Use the enclosed ruler to check while inflating.

### **FEATURES:**

- Lightweight and Compact Kayak
- Adjustable and Removable Inflatable Seat with Backrest
- Cockpit Designed for Comfort and Space
- Removable SKEG for Directional Stability
- Made for Smaller Bodies of Water
- Heavy-duty Puncture-Resistant Vinyl
- With 3 Separate Air Chambers
- Drop Stitch Air Mat Floor for Rigidity
- Boston Valves for Quick Inflation and Deflation
- With Handle on Both Ends for Easy Portability
- Great for Experiencing Lakes and Mild Rivers

### **WHAT'S IN THE BOX:**

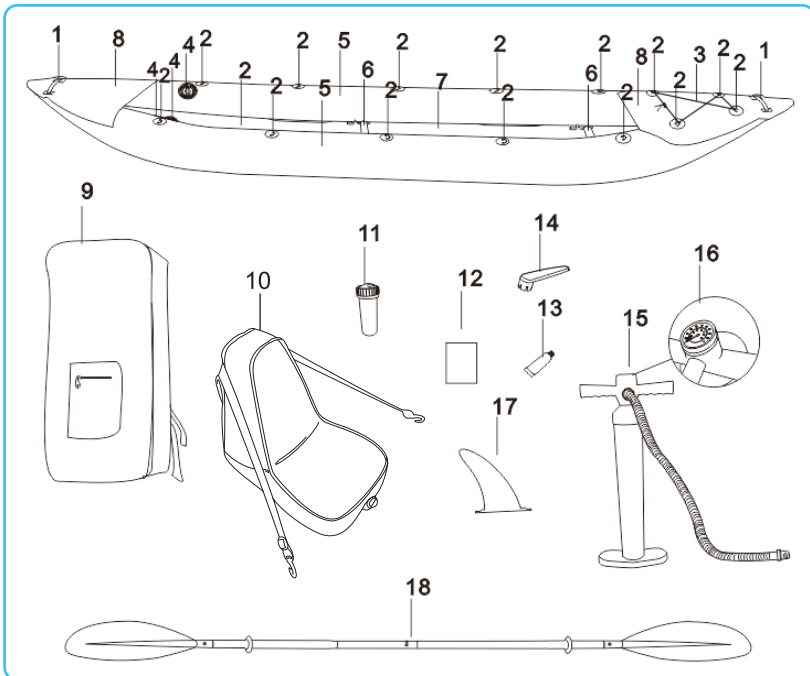
- Inflatable Kayak with 2 Seats
- (2) Aluminum Paddles
- Hi-output Pump
- Carrying Bag
- Repair Kit

## TECHNICAL SPECS:

- Construction Materials: 0.7MM 1000D23X23 PVC, 8CM Dropstitch
- Weight Capacity: 660lbs.
- Air Chambers: 3
- Person Capacity: 2
- Inflated Dimensions (L x W x H): 161.4" x 35.4" x 14.2" -inches
- Deflated Dimensions (L x W x H): 163.3" x 39.3" -inches

## PARTS DESCRIPTION

- |   |                              |
|---|------------------------------|
| 1. Grab handles   | 10. Inflatable seat          |
| 2. D rings for seats and elastic cords                                | 11. Repair kit               |
| 3. Elastic bungee cords   | 12. Repair patch             |
| 4. High pressure air valve for quick and easy Inflation and deflation | 13. Adhesive                 |
| 5. Kayak hull   | 14. Wrench                   |
| 6. Adjustable footrest  | 15. Hand pump                |
| 7. Drop Stitch Air Mat Floor  | 16. Hand pump pressure gauge |
| 8. Extended water splash guard  | 17. Fin                      |
| 9. Carry bag  | 18. Dual paddle-blade oar    |



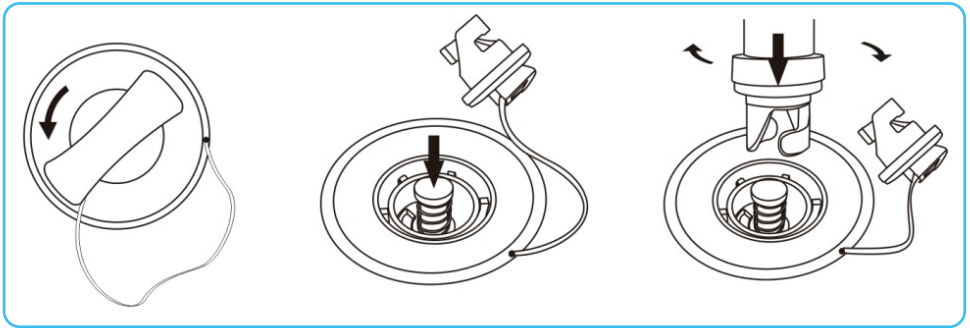
## ASSEMBLING AND DISASSEMBLING

### UNFOLD THE KAYAK FROM THE PACKAGE

- On a clean and smooth space free of stones or other sharp objects.
- Unroll the kayak and lay it out flat with top side facing up.
- The kayak fins need to be installed if you use the kayak on flat water.

### VALVE OPERATION

Follow the instructions below for valve operation and correct inflation and deflation procedures. The kayak's air valve is located on the rear of the craft. To close off the valve for inflation, make sure that the center valve pin is in the "UP" position.

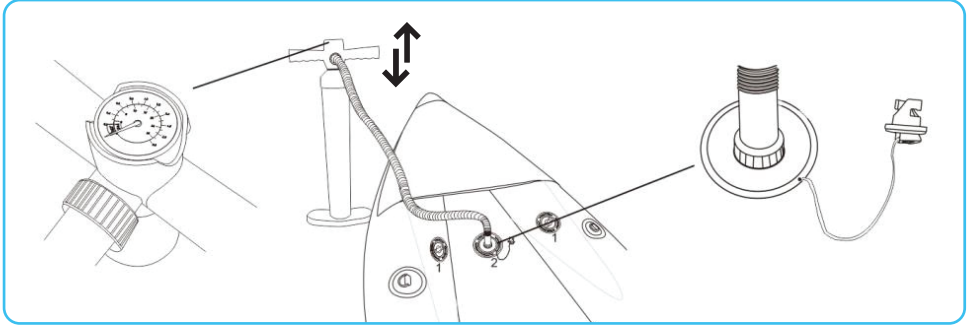


If it is in the "DOWN" position, press the valve pin to "UP" position. To open the valve for deflation, press down on the valve pin (need not to turn it), make sure that the center valve pin is in the "DOWN" Position. Be careful of any sand or debris around the valve area when deflating as small particles could become airborne with the release of the air pressure. Always lock the valve cover over the valve stem when in use. This will prevent accidental air release and entrance of any particles into the air chambers.

### INFLATE THE KAYAK

- Unscrew the side chamber valve cap, press down the valve pin to open the valve. Let the air flow naturally into the product. In order to save the time of inflation, then press down the valve pin again to close the valve (in "UP" position).
- Make sure the pump hose is connected to the "inflate" position.

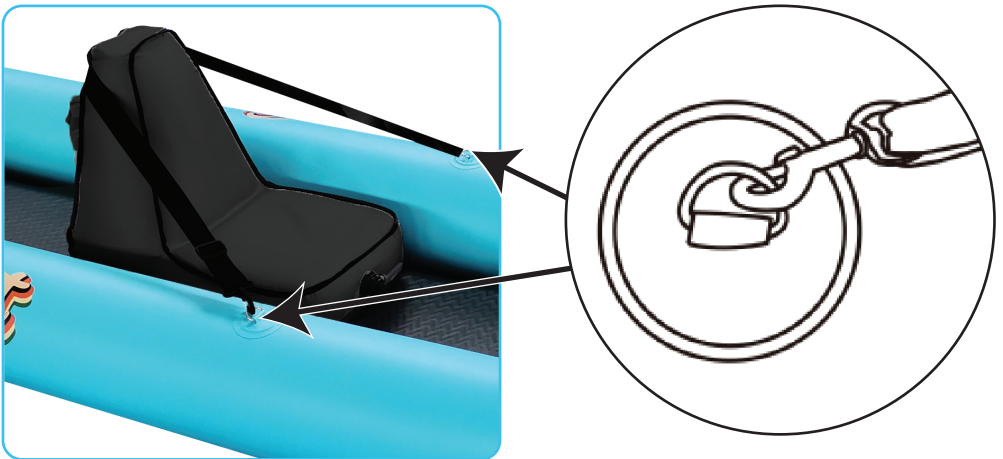
- Connect the pump nozzle into the valve receptacle, with a half twist motion (clockwise).
- Start pumping air into the chamber by sliding the pump piston up and down. Keep Inflating until the required air pressure is reached.



- Follow inflate the kayak instructions to inflate the Drop stitch air mat floor.
- If the pump piston starts to squeak, apply some spray silicone on the piston shaft.
- Partially inflate the side chambers and the kayak air mat floor and check that the air mat floor is tucked underneath the sides.
- Working pressure of each chamber should not exceed the maximum as bellow.

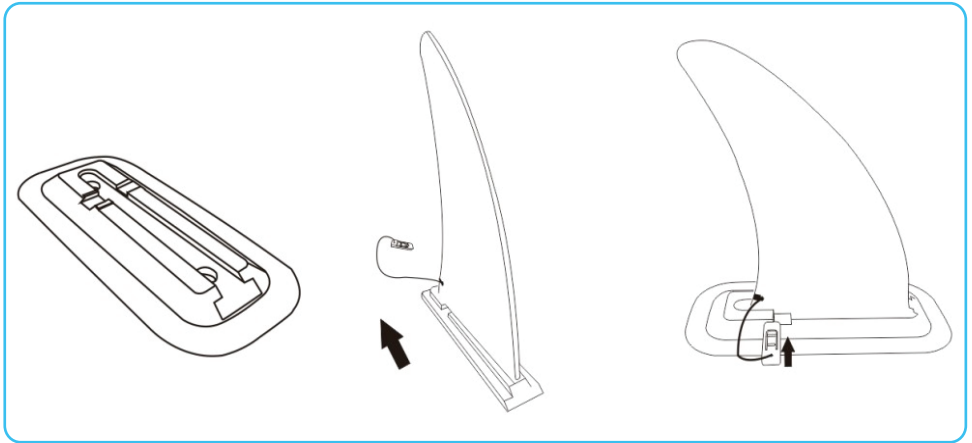
**Side chambers air pressure: 0.15bar/2psi**

**Air mat floor air pressure: 0.5bar/8psi**



## FIN INSTALLATION

Once the kayak is inflated, turn the kayak over and slide the fin into the base. It only slides in one way. Insert the push-in pin into the groove until it clicks into the position.



## INFLATION TIPS AND PRECAUTIONS

- **DO NOT** use an air compressor. Damage to your kayak caused by over inflation from an air compressor is not covered by our warranty.
- After 2 or 3 days there may be a small decrease of pressure due to temperature change. If so, add a few pumps of air.
- Before undertaking a long paddle, inflate the kayak for a full 24 hours to make sure the kayak is airtight. If you are seeing a consistent decrease in air pressure, follow the instructions for leak detection in the kayak repair section of this manual.
- **DO NOT** over-inflate the kayak. The easiest gauge of a good working pressure is to have the chambers inflated to a firm pressure when you press on them.
- **DO NOT** pump to a high pressure and let the kayak sit out in the hot sun. If the kayak is going to be in a warm environment, slightly deflate the kayak and allow the heat from the sun to increase the internal pressure. When paddling, the colder temperature of the water may cause a slight loss in chamber pressure. It is a good idea to carry a pump with you so that you can add some air to the chambers if necessary.

## KAYAK PADDLE ASSEMBLY



To build a paddle, press and align the push-button on the paddle blade with the paddle shafts. Make sure the push-button is securely snapped onto the paddle shaft hole. Join the 2 paddle shafts together by pressing and aligning the push-button securely snapped onto the hole. Always drain the water left in the paddle shafts after each use. To disassemble, reverse the paddle assemble procedures.

## LEAK DETECTION AND REPAIR AIR LEAK DETECTION

If the kayak is losing air pressure, not caused by colder temperatures, check the kayak for leaks, starting with the valves. A leaking valve is rare, but if you do find a leak we can send you a replacement valve. To locate a leak, we recommend mixing soap and water in a spray bottle, spray around the valve.

If you see bubbles forming, check your valve seating and base and be sure the valve insert is screwed tight. If you continue to have problems it's probably time to order a new valve. Replacement of the whole valve can be done with a simple tool that comes with the replacement valve.

If the kayak is losing air and the valves are good, it probably has a small puncture. Small punctures can be repaired easily and permanently. Spray around the board until air bubbles become visible and mark the position of the leak. If you do not find air bubbles, inflate the craft to maximum air pressure and try to listen to find the leak, if you can narrow the area down, return with a spray bottle to identify the source of the leak.



## REPAIR KIT

Punctures less than 1/8" in size can be repaired simply without a patch.

**Deflate your kayak, then clean and dry the area to be repaired. Apply a small drop of glue to cover the puncture, and let it dry 12 hours.**

If your kayak needs repair, use the patches in the repair kit and follow these steps:

- Deflate the kayak completely, lay it flat and wait for it to dry.
- Cut a patch that is 2 inches larger than the tear/rip all the way around.
- Use alcohol to clean the repair area.
- Apply three coats of adhesive to the patch and the kayak.  
Wait 5 minutes in between each coat.
- Place the patch over the tear/rip. The adhesive will react quickly, so make sure the positioning is precise/accurate.
- Use the roller to ensure the patch lays flat and even.
- Wait 24 hours before re-inflating the kayak.

## INSTRUCTION FOR CARE AND STORAGE

**Having an inflatable kayak makes portability and storage very easy.**

**Here are some simple suggestions if you plan on traveling with your kayak.**

- Before storing, hose off the kayak and let it dry completely to prevent mildew build up.
- Do not use harsh chemicals for cleaning.  
Most dirt can be removed with a mild soap and fresh water.
- You may store the kayak inflated or deflated.  
If you deflate the kayak, we recommend that you store it in the protective bag that came with the kayak.
- If storing the kayak outdoors, raise it up off the ground and cover it with a tarp to prevent exposure to the sun.
- Hanging the kayak is not recommended.
- Do not store in extreme conditions (o.e. above 66°C/150°F or below -23°C/-10°F).
- Store in a clean and dry place.
- Do not roll up the kayak too tight when storing it while deflated.
- If fins become bent, place them in boiling water and use heat (e.g. hairdryer) to bend them back into position.

serenelife™

***Questions? Issues?***

We are here to help!

Phone: (1) 718-535-1800

Email: [support@pyleusa.com](mailto:support@pyleusa.com)