



serenelife™



SLNATGSR26 **Natural Gas Hose**

with Quick Connect Fittings, Natural Gas Conversion Kit,
Works with Model Numbers: SLFPS3, SLFPTL, SLFPX45,
SLFPSX55, SLFPTIL49, and SLFPX69

USER GUIDE



Save these IMPORTANT Safety Instructions



READ THESE INSTRUCTIONS:

Read all Safety and Operating instructions carefully before using this product.

DANGER

If you smell gas:

1. Shut off gas to the appliance.
2. Extinguish any open flame.
3. If odor continues, keep away from the appliance and immediately call your gas supplier or fire department.

WARNING

Do not attempt to repair or alter this conversion kit for any assumed defect. Any modification to this assembly will void your warranty and create the risk of a gas leak and fire. Use only authorized replacement parts supplied by manufacturer.

WARNING

Do not store or use gasoline or other flammable vapors and liquids in the vicinity of this or any other appliance. An LP cylinder not connected for use shall not be stored in the vicinity of this or any other appliance.

WARNING

The conversion must only be performed by a licensed gas fitter and all connections MUST be leak tested prior to operating your outdoor gas appliance.

WARNING

Read and follow all Safety, Assembly, and Use and Care Instructions in this Guide before assembling and using the appliance. Failure to follow all instructions in this Use and Care Guide may lead to fire or explosion which could result in property damage personal injury or death.

Improper installation, adjustment, alteration, service or maintenance can cause injury or property damage. Read the owner's manual thoroughly before installing or servicing this equipment. If the information in this manual is not followed exactly, a fire or explosion may result causing property damage, personal injury or loss of life.

WARNING!

IMPORTANT: Read all instructions prior to beginning conversion.

- **NOT FOR USE ON PATIO HEATERS.**

- Natural gas is flammable and hazardous if handled improperly.

Become aware of its characteristics before using any natural gas product.

- **Natural gas characteristics:** Flammable, explosive under pressure, lighter than air and settles in pools in high areas.
- In its natural state, natural gas has no odor.
For your safety, an odorant has been added.
- Your natural gas outdoor appliance has been designed to operate on natural gas only, at a pressure of seven inches water column (7" W.C.).
- Chemicals known to the state of California to cause cancer, birth defects, or other reproductive harm are created by the combustion of natural gas.
- Check with your gas utility for local gas pressure, because in some areas natural gas pressure varies. Also, check with your gas company or with local building codes for instructions to install a gas supply line or call a licensed and qualified installer.
- It is recommended that an ON/OFF manual shut-off valve be installed at the gas supply source: Outdoors after the gas line exits outside wall and before quick disconnect or before gas supply line enters ground.
- The appliance and its individual shut off valve must be disconnected from the gas supply piping system during any pressure testing of the system at test pressures in excess of 1/2 psig (3.5kPa).
- This appliance must be isolated from the gas supply piping system by closing its individual manual shut off valve during any pressure testing of the gas supply piping system at test pressures equal to or less than 1/2 psig (3.5kPa).
- Make sure the natural gas hose is not in contact with any high temperature surface or it could melt and leak causing a fire.
- Move the hose out of pathways where people may trip over it or where the hose may be subjected to accidental damage.

WARNING!

- The conversion must only be performed by a licensed gas fitter and all connections **MUST** be leak tested prior to operating your outdoor gas appliance.
- Conversion should only be done when the appliance is cool in order to avoid the possibility of burns. Ensure the burner control is "OFF". Gas supply must be turned off at the source and disconnected from your outdoor appliance prior to conversion.
- Once conversion is complete, your outdoor appliance should only be used with natural gas. The valve, orifice and hose are for natural gas only.
- Ensure all connections are tightened using 2 wrenches.
Do not use Teflon tape or pipe dope on any hose connection.

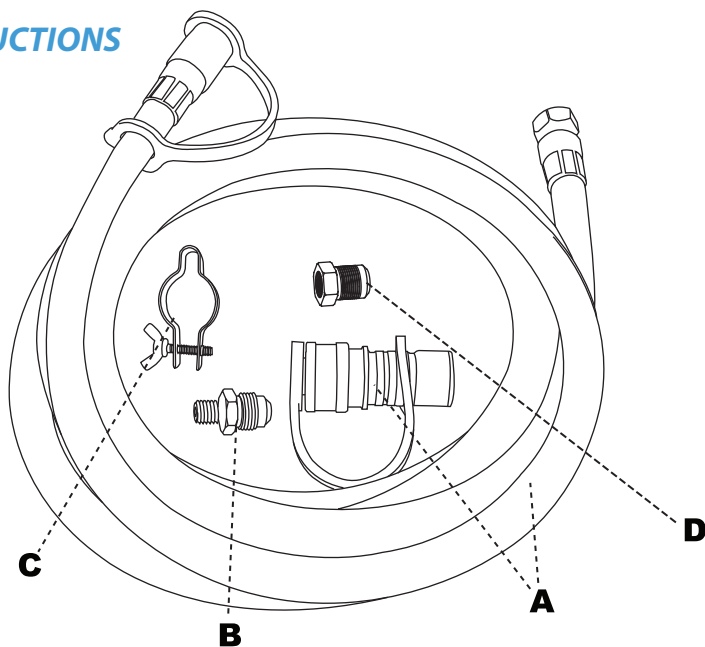
WHAT'S IN THE BOX:

- A** Natural Gas Hose and Quick Connect
- B** Natural Gas Orifice Nozzle
- C** Burner Tube Clamp and Wing Screw
- D** Connector

ASSEMBLY INSTRUCTIONS

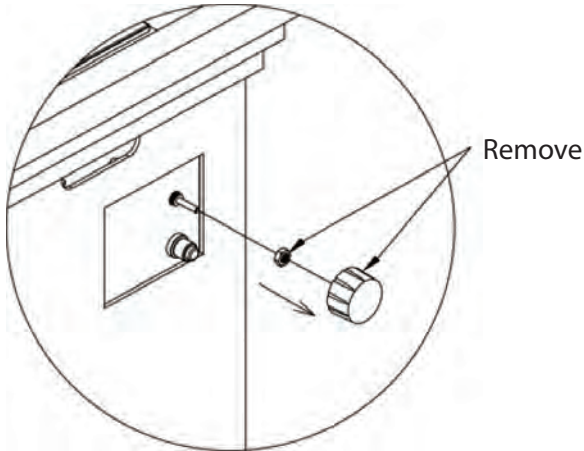
Tools needed:

- 3/4 wrench X 2
- 11/16 wrench X 1
- 5/16 wrench X 1



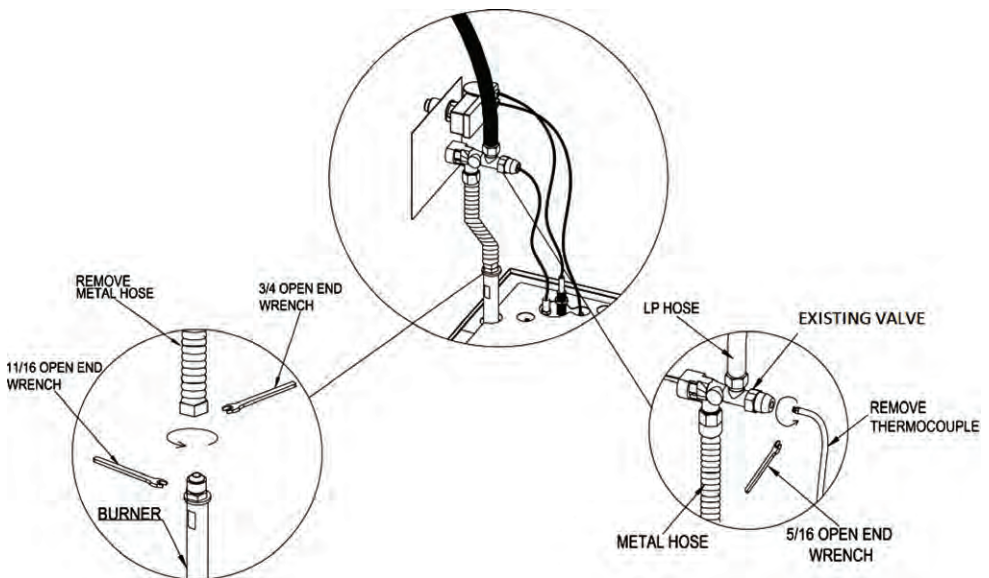
STEP 1

Remove the control knob and unscrew nut from the valve stem.
Put nut and knob aside for re-assembly later on.



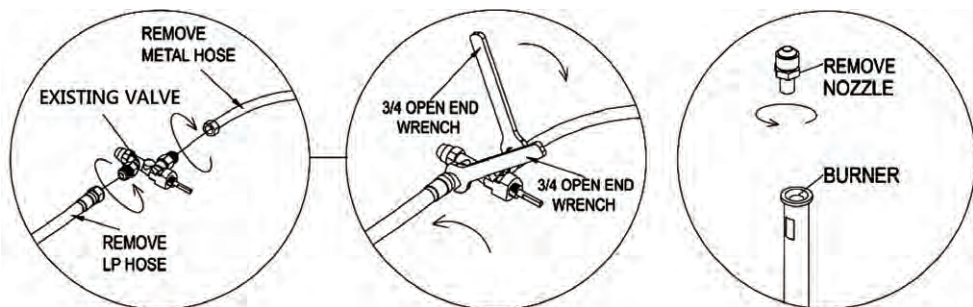
STEP 2

1. Pull existing valve assembly away from the inside of the control panel.
2. Using a 5/16 open end wrench, remove the thermocouple wire.
3. Using an 11/16 open end wrench, stabilize the LP orifice nozzle.
Using a 3/4 open end wrench, remove metal flex hose.



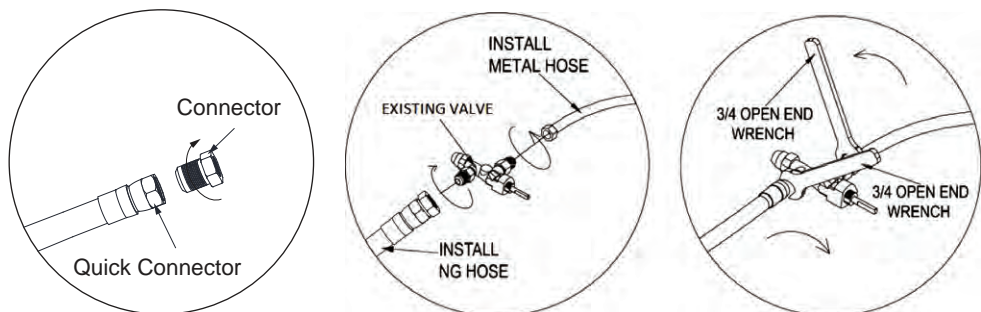
STEP 3

1. Using two 3/4 open end wrenches, remove the metal flex hose and the LP gas hose from the existing valve. Be sure to rotate in opposite directions.
2. Using an 11/16 wrench, remove the LP orifice nozzle from the burner tube.



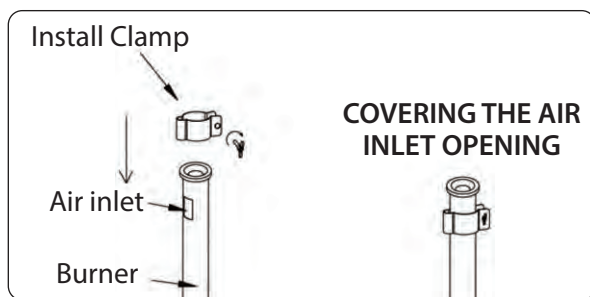
STEP 4

Attach the connector to the quick connector by using wrenches, then using two 3/4 open end wrenches, install the metal flex hose and the natural gas hose to the existing valve. Be sure to rotate in opposite directions.



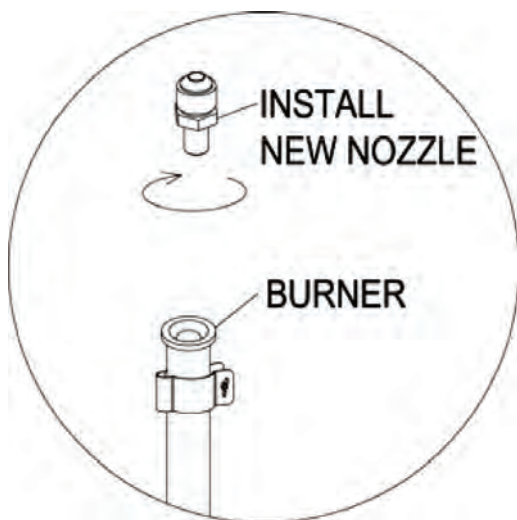
STEP 5

Slide the clamp over the burner tube and completely cover the air inlet opening with the clamp. Tighten the clamp completely using the wing screw.



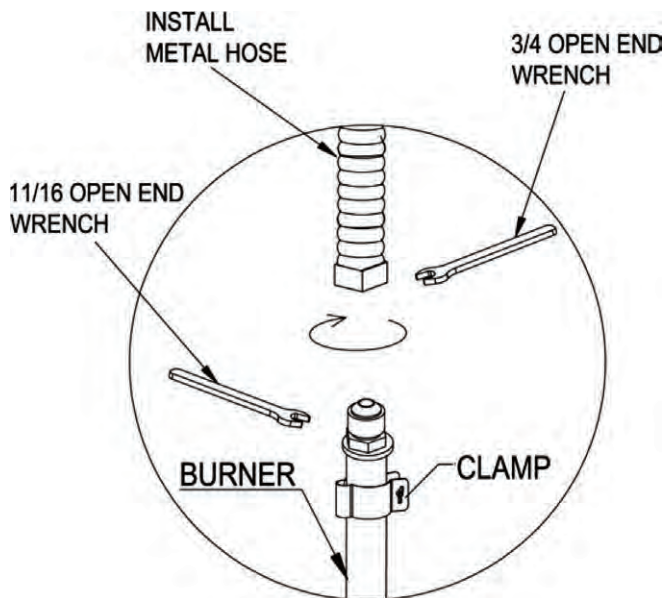
STEP 6

Hand tighten the new natural gas orifice nozzle onto the burner tube.



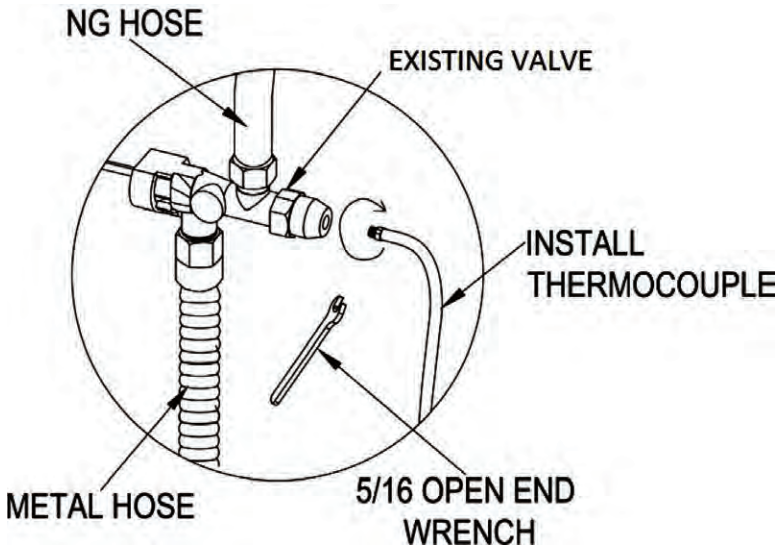
STEP 7

Using an 11/16 open end wrench, stabilize the natural gas orifice nozzle. Connect the metal flex hose onto the natural gas orifice nozzle using a 3/4 open end wrench.



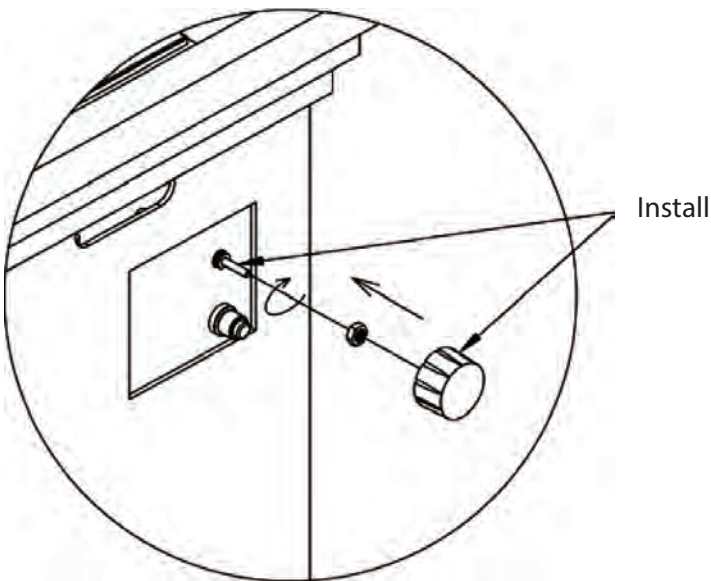
STEP 8

Using a 5/16 open end wrench, connect the thermocouple wire to the existing valve.



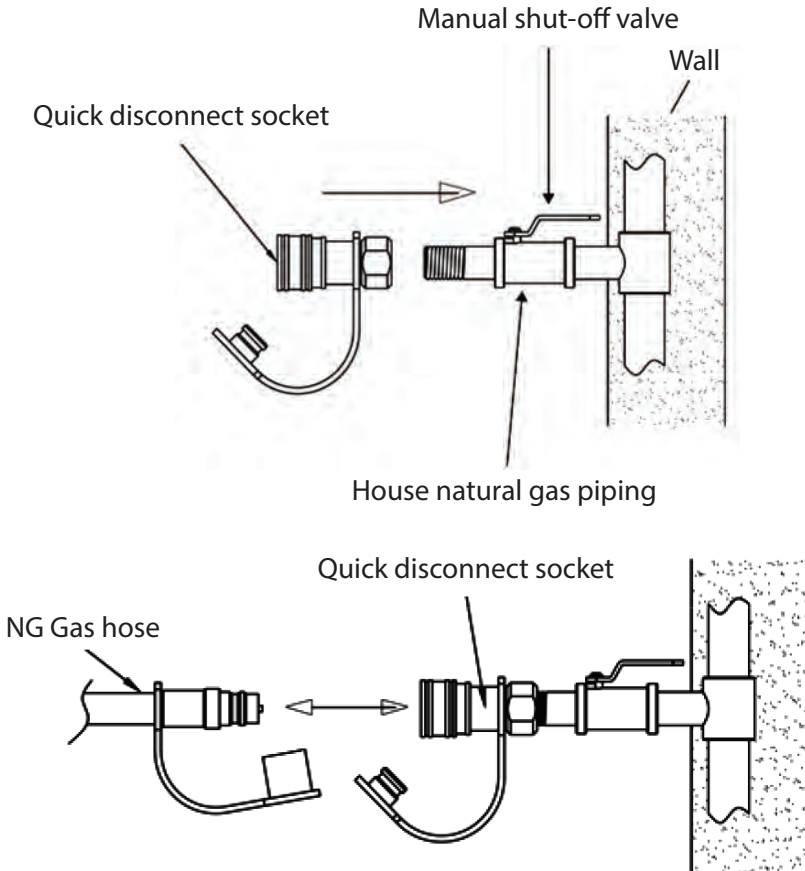
STEP 9

Insert valve stem through the hole located in the control panel and use nut to secure. Install control knob.



NATURAL GAS CONNECTION

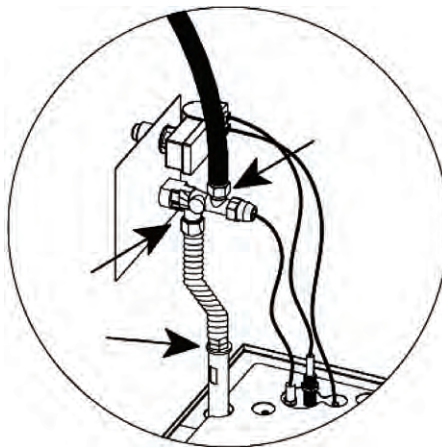
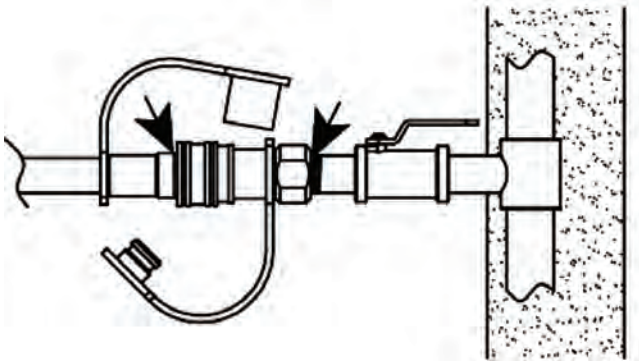
- Connect a manual shut-off valve to gas supply line.
Apply sealing compound or pipe thread tape of the type resistant to the action of natural gas on all male pipe threads.
Connect the quick disconnect socket to the manual shut-off valve at the gas supply.
- A readily available manual shut-off valve must be installed upstream of and as close to the quick disconnect as possible.
The quick disconnect must not be installed in an upward direction.
- Pull back the sleeve on the quick disconnect socket and insert the nipple at the end of the natural gas hose and release the sleeve to connect the gas supply.



LEAK TEST

1. Perform a leak test in a well-ventilated area outside.
2. Make sure any open flames or cigarettes are extinguished.
3. Remove the battery.
4. Ensure the burner control knob is in the "OFF" position.
5. In a bowl, create a soap solution using 1 part water and 1 part liquid detergent.
6. Apply the soapy water solution to all connections.
7. Connect natural gas hose to gas supply.
8. A gas leak will be detected by expanding bubbles originating from the point of the leak.
9. If a leak is found at any connection point or if you smell gas, disconnect the natural gas hose from the quick disconnect socket and do not use the appliance until repairs can be made.

Leak test locations for natural gas connection



FEATURES:

- Flexible and Durable
- Connects to Natural Gas Appliances
- Attaches to the Female Quick Connect Plug
- Easy to Install, Attach and Remove as Needed
- Solid Brass Fittings
- Multi-Layer Structures
- Long-Lasting Rubber Hose to Provide Safety and No Leakage
- Weatherproof and Leak-Free
- For Outdoor Use Only
- Works with Model Numbers: SLFPS3, SLFPTL, SLFPX45, SLFPSX55, SLFPTIL49, and SLFPX69

TECHNICAL SPECS:

- Gas Type: Natural Gas
- Hose Inlet: 3/8" Male Quick Disconnect
- Hose Outlet: 3/8" Female Flare Fitting
- Connector: 7/16" to 3/8"
- Hose Material: PVC + Nylon Sewing Thread + Galvanized Steel + Rubber
- Fitting Material: Brass
- Length: 10-Foot
- Adapter: 3/8" Female Quick Connect × 3/8" Female Pipe Thread (NPT) x Connector
- 1/2" Gas hose, Max.WP 1/2 PSI



serenelife™

Questions? Comments?

We are here to help!

Phone: (1) 718-535-1800

Email: support@pyleusa.com

