

serenelife™

Questions? Comments?

We are here to help!

Phone: (1) 718-535-1800

Email: support@pyleusa.com

serenelife™



SLOHT48
Bar Table Heater

Indicator Light with Remote Control, with Tempered Glass Table Top

User Manual

**PLEASE MAKE SURE THAT YOU HAVE READ THE MANUAL
CAREFULLY BEFORE USING IT.**

IMPORTANT INSTRUCTIONS

When using electrical appliances, basic precautions should always be followed to reduce the risk of fire, electric shock, and injury to persons, including the following:

1. **Read all instructions before using this heater.**
2. The unit must be placed with the clearance of 100cm to the wall and 30cm to the ceiling.
3. **This heater is hot when in use.** To avoid burns, do not let bare skin touch hot surfaces. If provided, use handles when moving this heater. High temperature, keep combustible material such as furniture, papers, clothes, curtains at least 3 feet (0.9m) from the front of the heater and away from the side and rear.
4. The unit must be securely placed on a horizontal and flat surface.
5. The unit is at high temperature during operation. It keeps hot for a period after shut down. Potential danger would occur when touching it during this period.
6. Don't place the unit close to curtain and/or other flammable objects. Otherwise there will be a danger of catching fire.
7. Don't cover the unit with anything during operation or a short time after it's shut down.
8. Don't wrap the power supply cord on the unit.
9. The unit must be handled with care, and avoid vibration or hitting.
10. The unit must be securely grounded during operation.
11. When damaged, the unit must be repaired by a professional repairing team.
12. If the supply cord is damaged, it must be replaced by the manufacturer, its service agent or similarly qualified persons in order to avoid a hazard.
13. The heater must not be located immediately below a socket-outlet.
14. When assembling, keep clear from any board or flammable material.
15. Do not use this heater with a programmer, timer or any other device that switches the heater on automatically, since a fire risk exists if the heater is covered or positioned incorrectly.

16. This appliance is not intended for use by persons (including children) with reduced physical, sensory or mental capabilities, or lack of experience and knowledge, unless they have been given supervision or instruction concerning use of the appliance by a person responsible for their safety.
17. Children should be supervised to ensure that they do not play with the appliance.
18. The unit is for household use only. It's not allowed to be used in building site, greenhouses, barn or stable where there's flammable dust.
19. The head of the unit is at high temperature during operation.
Unplug the unit and wait till it's cool before cleaning.
20. This heater is not intended for use in bathrooms, laundry areas and similar indoor locations. Never locate heater where it may fall into a bathtub or other water container.
21. Don't use this unit in place where causticity or volatile air exists, i.e. dust, steam, gas, etc.
22. Don't use this unit as a cloth drier or towel drier.
23. Don't use this unit as a sauna heater.
24. Don't use this unit as a room heater or heat storing.
25. Don't use this unit in place of animal propagating and raising.
26. Don't use this unit in heating system of hot air centre.
27. Don't immerse this unit into water for cleaning.
28. The unit should be plugged in a socket, which is easily visible and reachable.
29. To avoid potential fire hazards, do not run your heater or its electrical cord under carpeting. Do not cover cord with throw rugs, runners, or similar coverings. Do not route cord under furniture or appliances. Arrange the electrical cord away from traffic areas and where it will not be tripped over.
30. To disconnect heater, turn controls to off, then remove plug from outlet.
31. Use this heater only as described in this manual. Any other use not recommended by the manufacturer may cause fire, electric shock, or injury to persons.
32. Always plug heaters directly into a wall outlet/receptacle. Never use with an extension cord or relocatable power tap(outlet/power strip) because the extension cord may overheat and cause a risk of fire.
33. Surface temperatures become very hot when operating heater. Children and adults should stay away to avoid burns or clothing ignition.

34. Young children should be carefully supervised when they are in the area of the heater.
35. Extreme caution is necessary when any heater is used by or near children or invalids and whenever the heater is left operating and unattended.
36. Always unplug heater when not in use.
37. Do not operate any heater with a damaged cord or plug or after the heater malfunctions, has been dropped or damaged in any manner. Discard heater, or return to authorized service facility for examination and/or repair.
38. Do not use outdoors.
39. Connect to properly grounded outlets only.
40. Do not insert or allow foreign objects to enter any ventilation or exhaust opening as this may cause an electric shock or fire, or damage the heater.
41. To prevent a possible fire, do not block air intakes or exhaust in any manner.
Do not use on soft surfaces, like a bed, where openings may become blocked.
42. A heater has hot and arcing or sparking parts inside. Do not use it in areas where gasoline, paint, or flammable liquids are used or stored.

CAUTION: EXTEND OR UNFOLD LEGS BEFORE OPERATING.

ATTENTION:

ÉTENDRE OU DÉPLIER LES PATTES AVANT DE METTRE L'APPAREIL EN MARCHÉ.

SAVE THESE INSTRUCTIONS

PREPARATION

1. Unpack the carton. Take out the accessories pack from the carton of the heater body. Make sure the accessories listed in the above Accessories Check List are included. If anything is missing, ask the retailer immediately to provide it to you.
2. Prepare a cross head screw driver.
3. Read this instruction manual carefully before installation and use. Keep this instruction manual in a proper and safe place for future use in case needed.

PARTS DESCRIPTIONS:

Fig. A

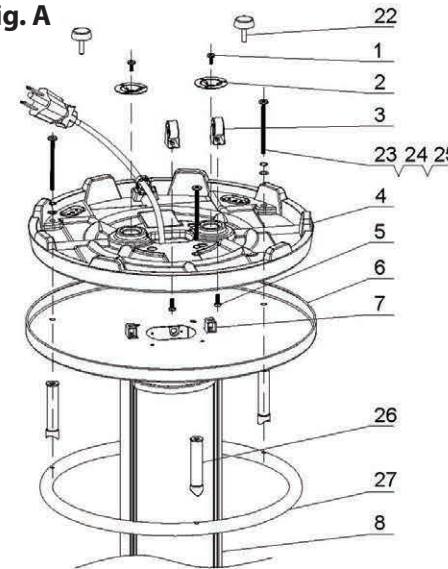


Fig. B

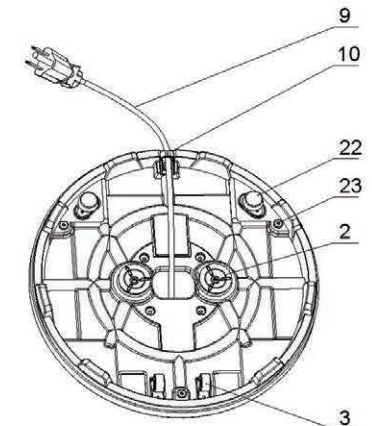
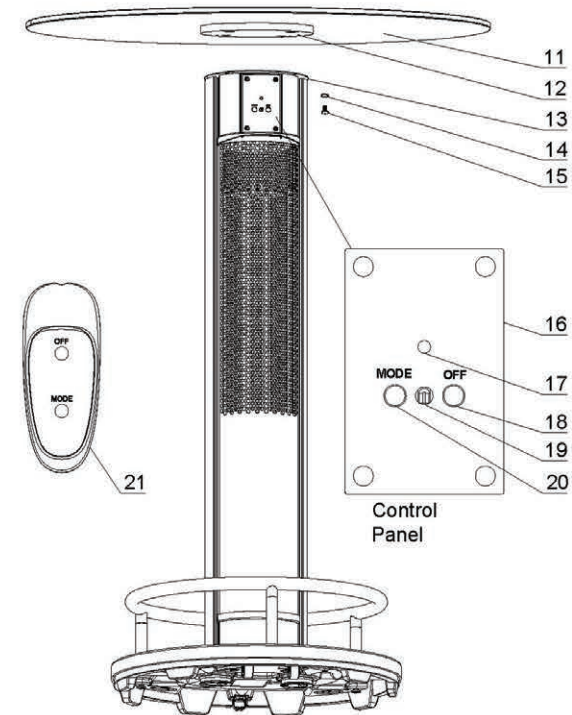


Fig. C



PARTS DESCRIPTIONS:

No.	Part Name	No.	Part Name	No.	Part Name
1	Screw M6*20	11	Table Top	21	Remote Controller
2	Washer	12	Table Fixture	22	Screw Foot M6*30
3	Wheel	13	Top Steel Board	23	Screw M8*120
4	Base	14	Spring Washer ø6.2	24	Spring Washer ø8.5
5	Screw M6*12	15	Screw M6*8	25	Spring Washer ø8.2*ø16
6	Base Cover	16	Control Panel	26	S/S Tube
7	Base Bracket	17	Power Indicator Light	27	Foot Bracket
8	Heater Body	18	OFF Button		
9	Power Cord	19	Receiver		
10	Cord Clip	20	Mode Button		

ACCESSORIES PACK CHECK LIST:

Accessory Name	Qty	Accessory Name	Qty
Allen Key M8	1	Screw Foot M6*30	2
Allen Key M6	1	Washer	2
Screw M6*20	2	Screw M6*8	4
Wheel	2	Screw M8*120	3
S/S Tube	3	Spring Washer ø8.5	3
Spring Washer ø6.2	4	Spring Washer ø8.2*ø16	3
Screw M6*12	2		

INSTALLATION

1. Take out all the components from the cartons.
2. As shown in figure A, turn over the Base and Base Cover, let Screw M6*12(#5) fix the Wheels(#3) through the small holes on the Base.
3. Fix Screw Feet M6*30(#22) onto the Screw Board, and adjust it into the same level as the Wheels.
4. Put Spring Washer ø8.5(#24) and Spring Washer ø8.2*ø16(#25) into the Screw M8*120(#23) then get through the Base(#4), Base Cover(#6), S/S Tube(#26). Use the provided Allen Key M8 to fasten the Screw M8*120 (#23) with Foot Bracket.
5. Turn over the Heater Body. Put the Base on it. Pull out the Power Cord (#9) through the Base Cover (#6) and Base (#4).
6. Let the Base Brackets (#7) match with the holes on the Base Cover (#6) and Base (#4). Then fix the Base Brackets with the Washers (#2) and Screw M6*20 (#1) with the provided Allen Key M6.

7. Fix the Power Cord with the Cord Clip (#10).
8. Put Table Top on top of the Heater Body. Make sure the screw holes on Table Fixture are matching the holes on Top Steel Board. Fix Table Top onto Heater Body with 4 Screws M6*8 (#15) and Spring Washers ø6.2 (#14)

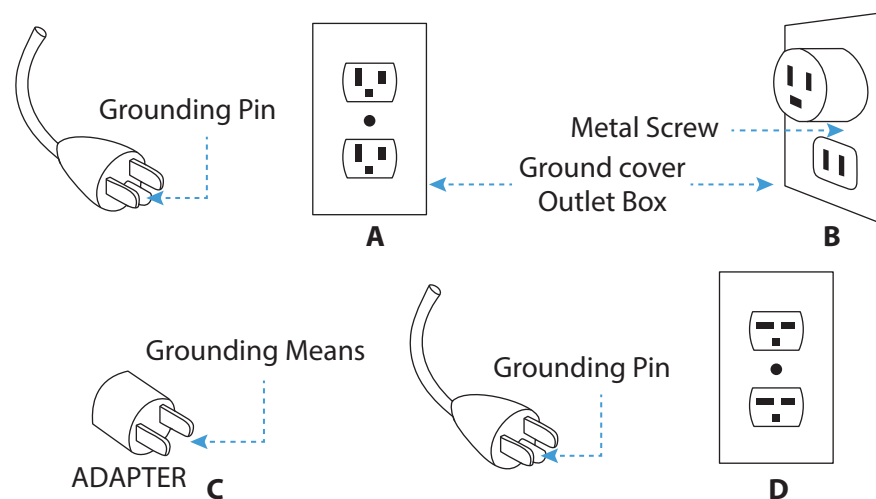
OPERATIONS:

1. Plug in the unit to a socket. Make sure the power supply is same as rated. If the heater's indicator light starts flashing, it means it's in standby status.
2. Press Mode button on the control panel or remote control to switch to low power or high power as desired. Indicator Light – Green light & Red light will light up accordingly.
3. Press OFF button on the control panel or remote control to shift the heater to Standby mode.

GROUNDING INSTRUCTIONS:

This heater is for use on 120 volts. The cord has a plug as shown at A in Figure below. An adapter as shown at C is available for connecting three-blade grounding-type plugs to two-slot receptacles. The green grounding lug extending from the adapter must be connected to a permanent ground such as a properly grounded outlet box. The adapter should not be used if a three-slot grounded receptacle is available.

Grounding Methods



CLEANING:

- Unplug the unit before cleaning. It should be wiped with wet cloth.
- Don't use too much water.
- Any other servicing should be performed by an authorized service representative.

FEATURES:

- Offers Sun-like Infrared Heating
- Includes Mesh Grille Front
- Odorless, No Gas or Propane Use
- Remote Control Table Heater
- Dust and Waterproof Design
- Anodized Extruded Aluminum Alloy Frame and Control BC
- High-Efficiency Carbon Fibre Heating Elements
- Two Power Settings: Low and High
- 360 Degree Tip-over Safety Switch
- IP55 Approved
- Overheat Protection and Quiet Op

WHAT'S IN THE BOX:

- 1500 Watt Electric Patio Heater
- (2) Allen Wrench
- (2) Screw M6 x 20
- (2) Wheel
- (3) S/S Tube
- (4) Spring Washer $\varnothing 6.2$
- (2) Screw M6 x 12
- (2) Screw Foot M6 x 30
- (2) Washer
- (4) Screw M6 x 8
- (3) Screw M8 x 120
- (3) Spring Washer $\varnothing 8.5$
- (3) Spring Washer $\varnothing 8.2 \times \varnothing 16$
- (1) Remote Controller

Technical Specs:

- Construction Material: Aluminum Alloy Frame, Tempered Glass, Stainless Steel Base Cover
- Power Supply: 1500W
- 2 Heat Levels: Low (750 Watts), High (1500 Watts)
- Heating Area: 15 sq. ft.
- Maximum Amperage: 12.5 Amps
- Battery Operated Remote: 1.5V, (2) x 'AAA' Batteries (not included)
- Power Cable Length: 2 Meters, 120V
- Base Cover Size: 19.68" -inches (Diameter)
- Heat Warm Range: Around 10-15 Square Meters
- Table Top Dimension (L x W x H): 23.6" x 23.6" x 0.39" -inches
- Product Dimensions (L x W x H): 23.6" x 23.6" x 43.3" -inches

