

serenelife™



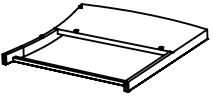
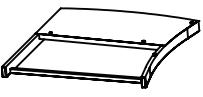
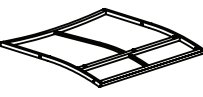
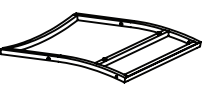
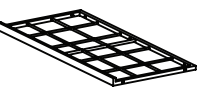
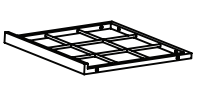

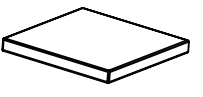
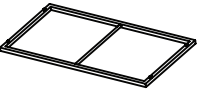
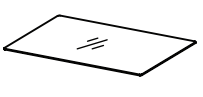
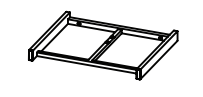
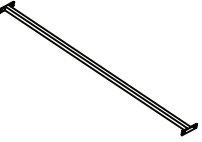
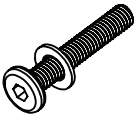
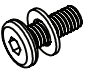

SLOTFX5

4 Pcs. Patio Outdoor Rattan Furniture Set

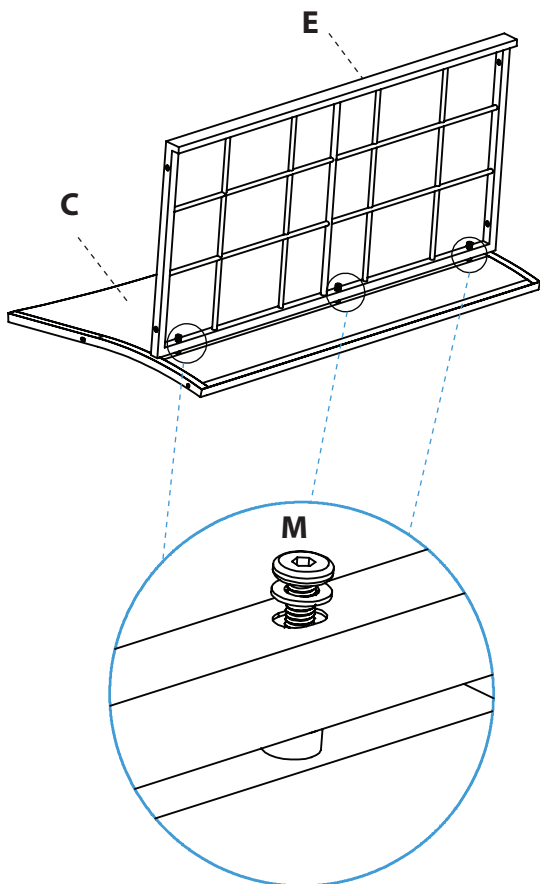
Includes 1 Double Chair & 2 Single Chairs
with Soft Cushion, and 1 Glass-top Coffee Table

USER GUIDE

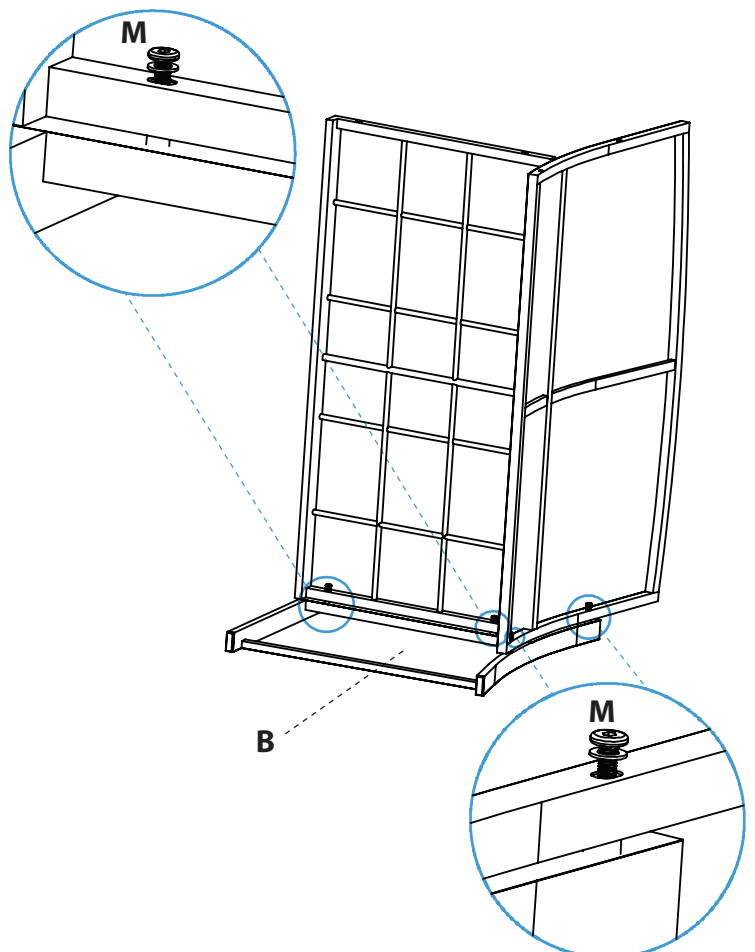
Assembly Instruction:

<p>A</p>  <p>Left armrest 3PC</p>	<p>B</p>  <p>Right armrest 3PC</p>	<p>C</p>  <p>Double back 1PC</p>	<p>D</p>  <p>Single back 2PC</p>	<p>E</p>  <p>Double seat 1PC</p>	<p>F</p>  <p>Single seat 2PC</p>
<p>G</p>  <p>Double cushion 1PC</p>	<p>H</p>  <p>Single cushion 2PC</p>	<p>I</p>  <p>Table top 1PC</p>	<p>J</p>  <p>Table glass 2PC</p>	<p>K</p>  <p>Table foot 2PC</p>	<p>L</p>  <p>Table connection bar 1PC</p>
<p>M</p>  <p>M6X35 35PC</p>		<p>N</p>  <p>M6X15 4PC</p>		<p>O</p>  <p>1PC</p>	

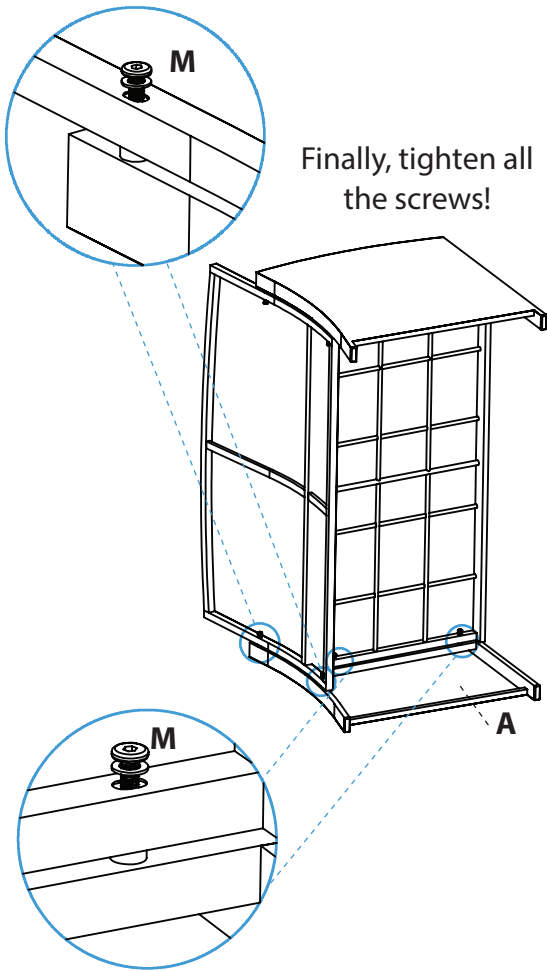
Double 1



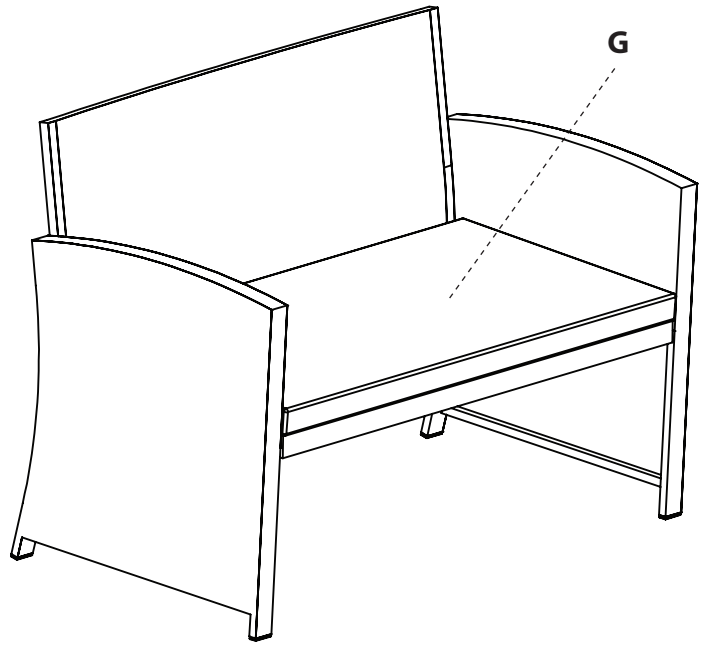
Double 2



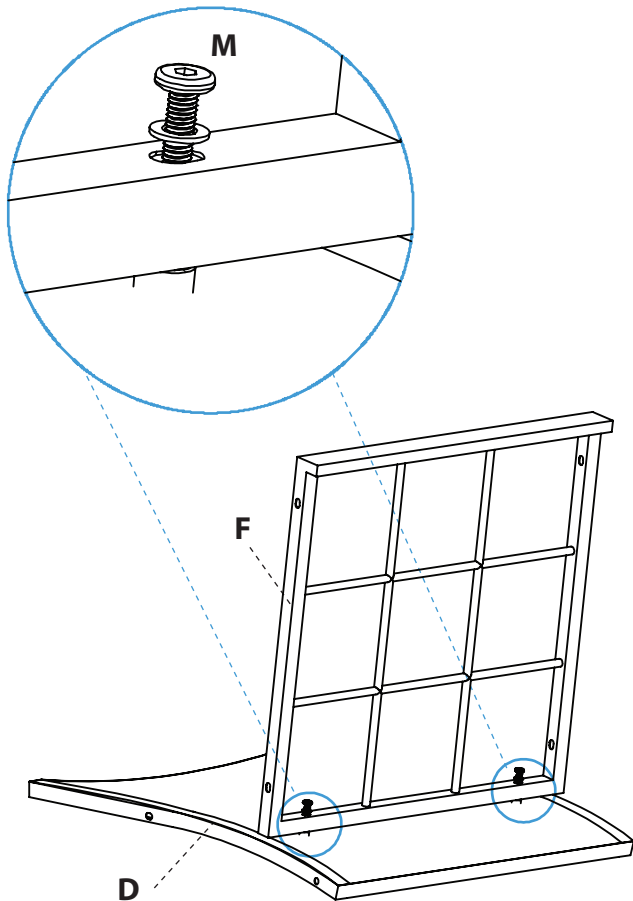
Double 3



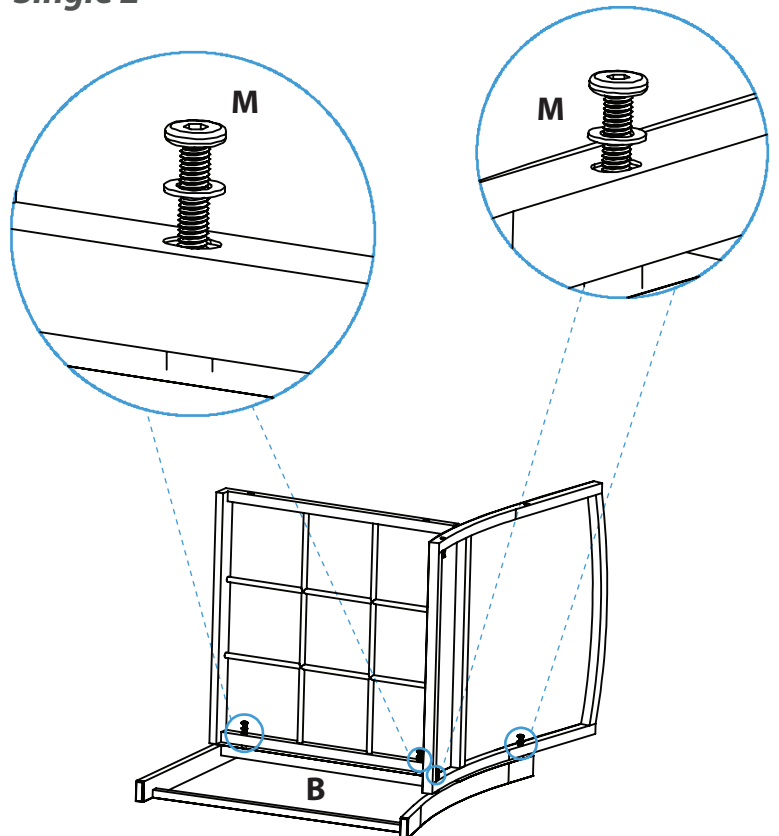
Double 4



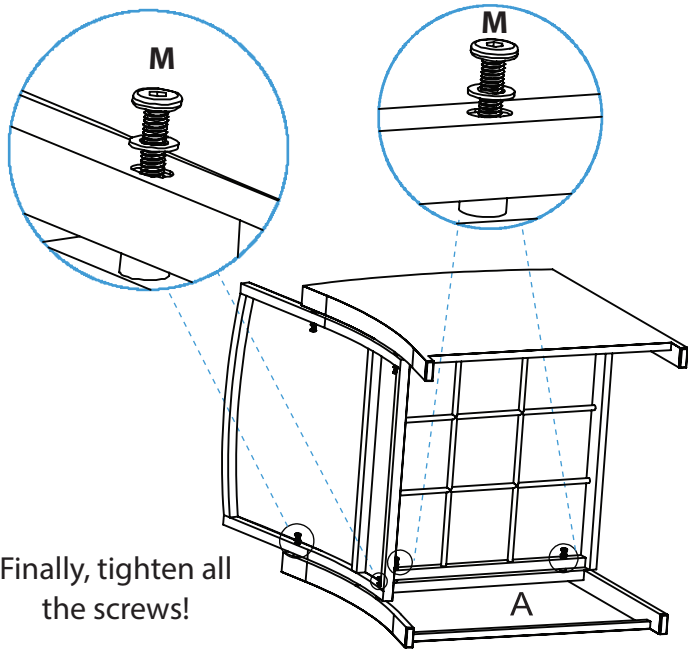
Single 1



Single 2



Single 3



Single 4

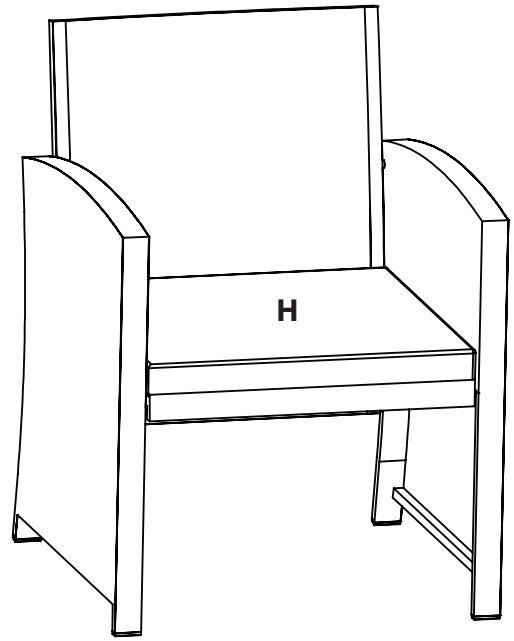


Table 1

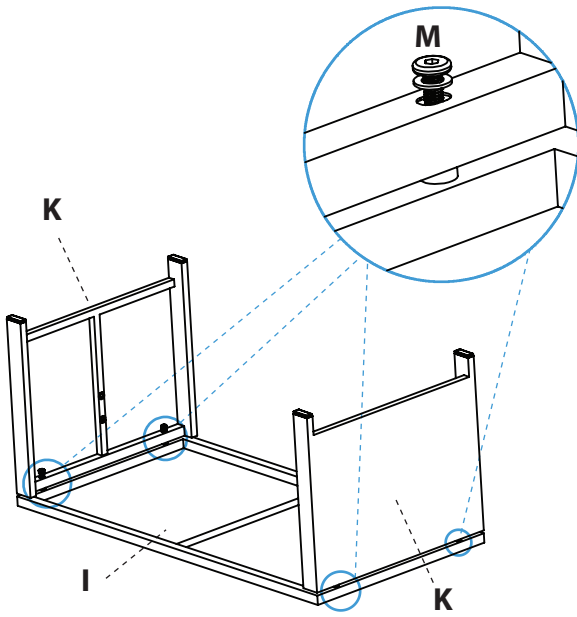


Table 2

Finally, tighten all the screws!

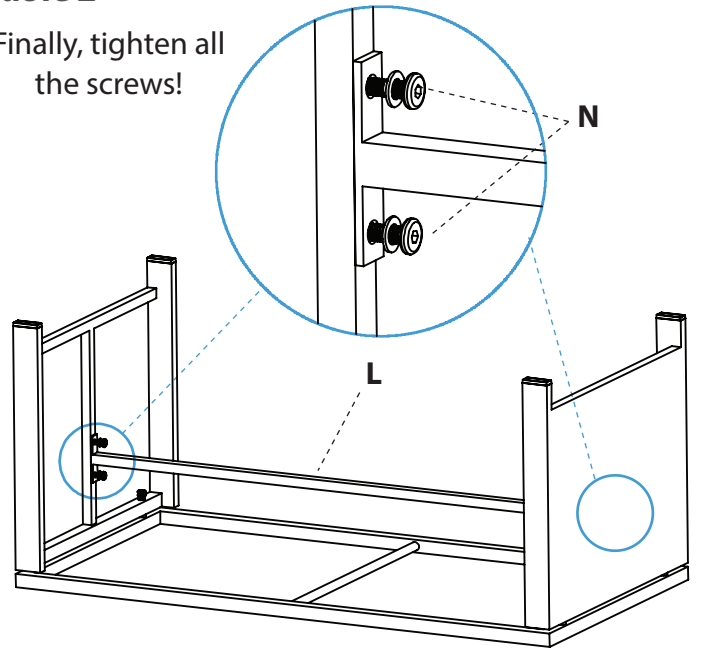
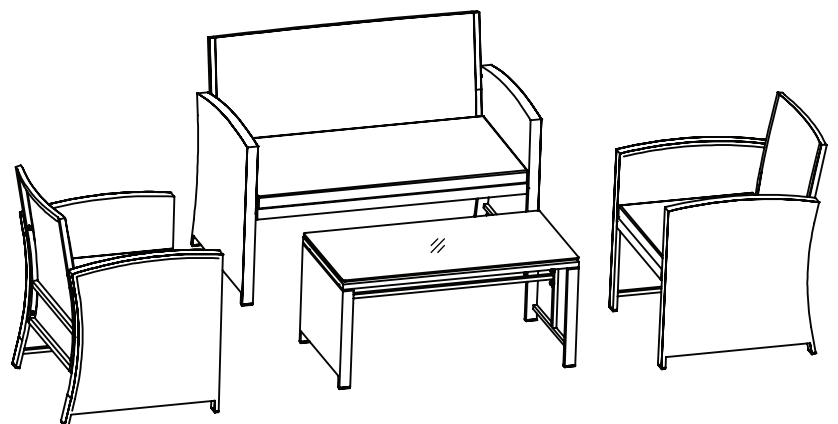
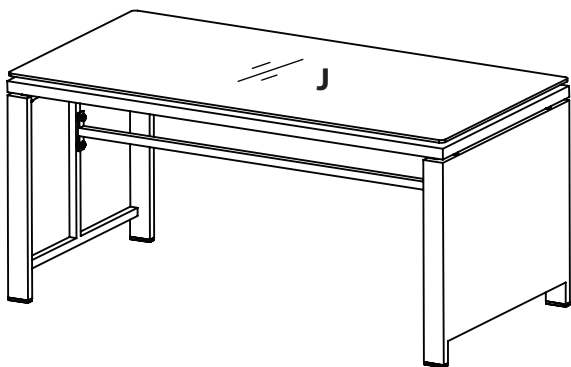


Table 3



Features:

- Easy to Assemble and Move
- Modern Design for Modern Life
- Soft Cushions for Comfortable Sit
- Smooth and Very Relaxing
- Anti-rust and Anti-corrosion Treatment for Long Service Life
- Durable and Sturdy Rattan Wicker
- Easy to Assemble
- Tempered Glass Coffee Table
- Zipper Designed Cushion Covers for Easy Detachable
- Outdoor/Indoor Patio Furniture with Washable Cushions
- Comfortable Beige Seat Cushions made with Water-resistant Fabric
- Brown Weather-resistant Resin Wicker Rattan
- Durable Powder-coated Steel Frame
- Double Chair Offers a 500 lbs. Maximum Weight Capacity
- Ideal for Patio, Backyard, Porch, Garden, Poolside, Balcony or Pool Side Area

What's in the Box:

- (2) Single-Seat Chairs
- (1) Double Seat Chair
- (1) Glass Coffee Table



WARNING:

This products can expose you to a chemical or group of chemicals, which may include "**Lead (Pb)**" which is known in the state of California to cause cancer, birth defects, or other reproductive harm. For more info, go to <https://www.p65warnings.ca.gov/>.

Technical Specs:

- Construction Material: PE Rattan & Steel Frame
- Rattan Color: Brown
- Cushion: Beige Polyester Fabric and Sponge Padded
- Max. load capacity: 330 lbs
- Single Chair (L x W x H): 23.6" x 24" x 31.1" -inches
- Double Chair (L x W x H): 43.3" x 24.8" x 31.1" -inches
- Table (L x W x H): 35" x 18.1" x 16.1" -inches
- Cushion for Single Chair (W x D): 19.7" x 20.3" -inches
- Cushion for Double Chair (W x D): 39.4" x 20.3" -inches

The logo for serenelife features the word "serenelife" in a lowercase, rounded, sans-serif font. A small blue infinity symbol is positioned above the letter "e". A trademark symbol (TM) is located at the end of the word. The background of the page is a light blue gradient at the top, transitioning to white, and ending in a dark blue wavy shape at the bottom.

serenelife™

Questions? Issues?
We are here to help!
Phone: (1) 718-535-1800
Email: support@pyleusa.com