



IMPORTANT SAFETY RULES
Please read, understand, and follow
all instructions carefully before installing
and using this product.
Keep for future reference.



SLPLRCT16 - SLPLRCT18 - SLPLRCT24

Rectangular Metal Frame Pool Set

Above Ground Swimming Pool, Fast Setup and Durable,
Garden Backyard Lawn and Courtyard

User Manual

TABLE OF CONTENTS

IMPORTANT SAFETY RULES	3
METAL FRAME POOL PARTS LIST	5
POOL SETUP	7
FILTER PUMP INSTALLATION and INSTRUCTIONS	11
LADDER ASSEMBLY	14
POOL MAINTENANCE & CHEMICALS	16
GENERAL AQUATIC SAFETY	19
TROUBLESHOOTING GUIDE	19
LIMITED WARRANTY	20



SPECIAL INTRODUCTORY NOTE:

Please read this manual before setting up your pool. This information will help extend the pool life and make the pool safer for your family's enjoyment. A team of 2-3 people is recommended for pool set up. Additional people will speed up the installation.

IMPORTANT SAFETY RULES

Read, Understand and Follow All Instructions Carefully Before Installing and Using this Product.

WARNING

- **Continuous and competent adult supervision of children and the disabled is required at all times.**
- Secure all doors, windows and safety barriers to prevent unauthorized, unintentional or unsupervised pool entry.
- Install a safety barrier that will eliminate access to the pool for young children and pets.
- Pool and pool accessories are to be assembled and disassembled by adults only.
- Never dive, jump or slide into an above-ground pool or any shallow body of water.
- Failure to set up pool on flat, level, compact ground or over filling could result in the pool's collapse and the possibility that a person lounging in the pool could be swept out/ejected.
- Do not lean, straddle, or exert pressure on the inflatable ring or top rim as injury or flooding could occur. Do not allow anyone to sit on, climb, or straddle the sides of the pool.
- Remove all toys and flotation devices from, in, and around the pool when it is not in use. Objects in the pool attract young children.
- Keep toys, chairs, tables, or any objects that a child could climb on at least four feet (1.22 meters) away from the pool.
- Keep rescue equipment by the pool and clearly post emergency numbers at the phone closest to the pool.
Examples of rescue equipment: coast guard approved ring buoy with attached rope, strong rigid pole not less than twelve feet (13') [4m] long.
- Never swim alone or allow others to swim alone.
- Keep your pool clean and clear. The pool floor must be visible at all times from the outside barrier of the pool.
- If swimming at night use properly installed artificial lighting to illuminate all safety signs, ladders, pool floor and walkways.
- Stay away from the pool when using alcohol or drugs/medication.
- Keep children away from pool covers to avoid entanglement, drowning, or other serious injury.
- Pool covers must be completely removed before pool use.
Children and adults cannot be seen under a pool cover.
- Do not cover the pool while you or anyone else is in the pool.
- Keep the pool and pool area clean and clear to avoid slips and falls and objects that may cause injury.
- Protect all pool occupants from recreational water illnesses by keeping the pool water sanitized.
Don't swallow the pool water. Practice good hygiene.
- All pools are subject to wear and deterioration. Certain types of excessive or accelerated deterioration can lead to an operation failure, and can ultimately cause the loss of large quantities of water from your pool. Therefore, it is very important that you properly maintain your pool on a regular basis.
- **This pool is for outdoor use only.**
- Empty pool completely when not in use for a longer period and safely store the empty pool in such a way that it does not collect water from rain or any other source. See storage instructions.
- While the swimming pool is in use, you will need to operate the filter pump to ensure that there is at least one complete turnover of water a day. Consult your pump's manual to calculate the necessary operating hours.

POOL BARRIERS AND COVERS ARE NOT SUBSTITUTES FOR CONTINUOUS AND COMPETENT ADULT SUPERVISION. POOL DOES NOT COME WITH A LIFEGUARD. ADULTS ARE THEREFORE REQUIRED TO ACT AS LIFEGUARDS OR WATER WATCHERS AND PROTECT THE LIVES OF ALL POOL USERS, ESPECIALLY CHILDREN, IN AND AROUND THE POOL.

FAILURE TO FOLLOW THESE WARNINGS MAY RESULT IN PROPERTY DAMAGE, SERIOUS INJURY OR DEATH.

Advisory:

Pool owners may need to comply with local or state laws relating to childproof fencing, safety barriers, lighting, and other safety requirements. Customers should contact their local building code enforcement office for further details.

IMPORTANT SAFETY RULES

Please read, understand, and follow all instructions carefully before installing and using this product.

These warnings, instructions, and safety guidelines address some common risks of water recreation, but they cannot cover all risks and dangers in all cases. Always use caution, common sense, and good judgment when enjoying any water activity. Keep for future reference. Packaging must be read carefully and kept for future reference. See product for additional warnings

General

Check pins, bolts and/or screws for rust; splinters or any sharp edges regularly, especially accessible surfaces to avoid injuries.

Non swimmers safety

- Continuous, active, and vigilant supervision of weak swimmers and non-swimmers by a competent adult is required at all times (remembering that children under five are at the highest risk of drowning). Designate a competent adult to supervise the pool each time it is being used.
- Weak swimmers or non-swimmers should wear personal protection equipment when using the pool.
- When the pool is not in use, or unsupervised, remove all toys from the swimming pool and its surrounding to avoid attracting children to the pool.

Safety devices

- It is recommended to install a barrier (and secure all doors and windows, where applicable) to prevent unauthorized access to the swimming pool.
- Barriers, pool covers, pool alarms, or similar safety devices are helpful aids, but they are not substitutes for continuous and competent adult supervision.

Safety equipment


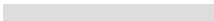





- It is recommended to keep rescue equipment (e.g. a ring buoy) by the pool.
- Keep a working phone and a list of emergency phone numbers near the pool.

Safe use of the pool

- Encourage all users especially children to learn how to swim.
- Learn Basic Life Support (Cardiopulmonary Resuscitation - CPR) and refresh this knowledge regularly. This can make a life-saving difference in the event of an emergency.
- Instruct all pool users, including children, what to do in case of an emergency.

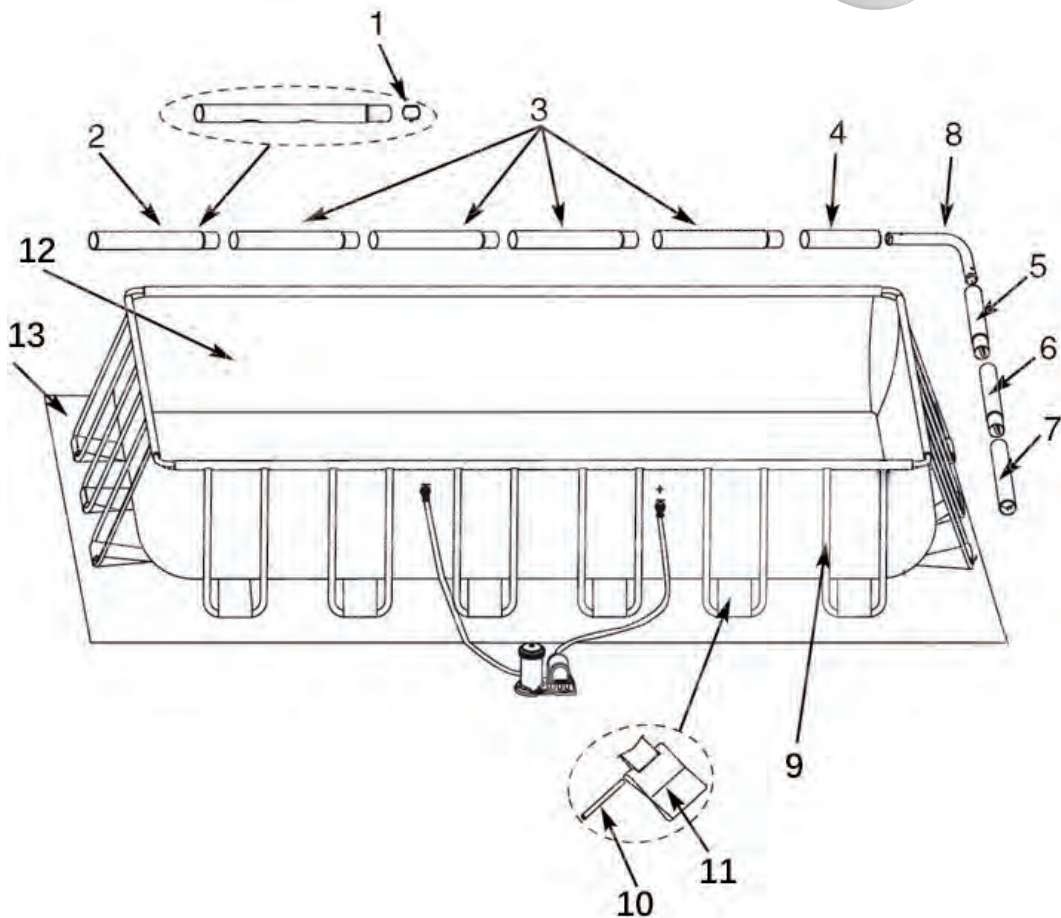
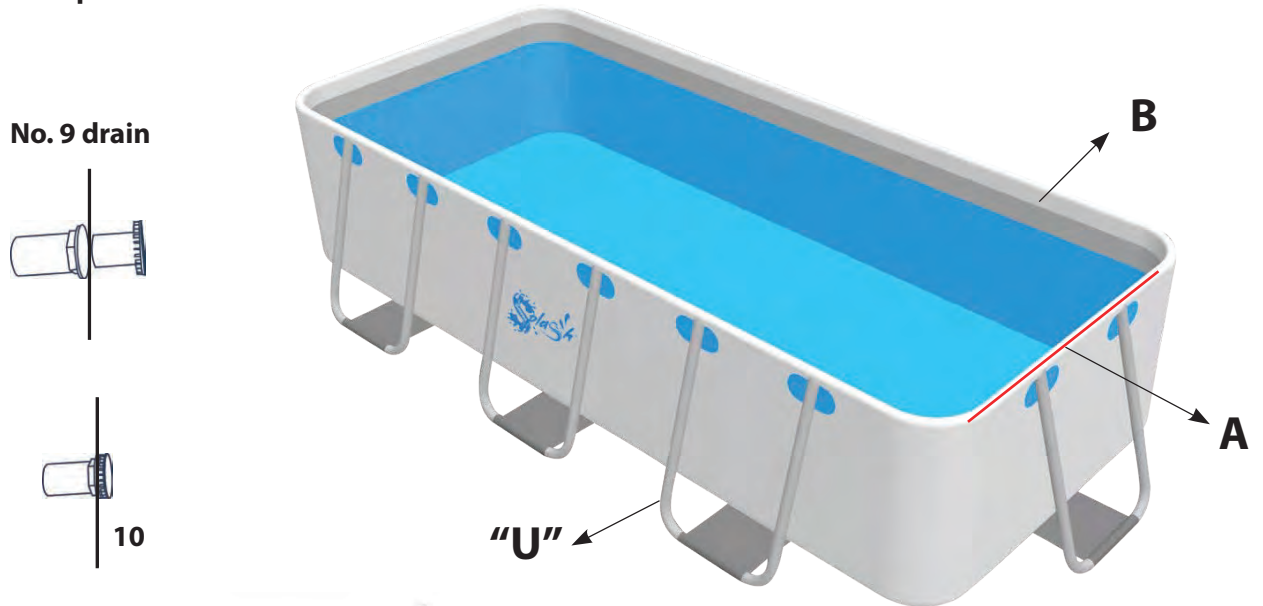
- Never dive into any shallow body of water. This can lead to serious injury or death..
- Do not use the swimming pool when using alcohol or medication that may impair your ability to safely use the pool
- When pool covers are used, remove them completely from the water surface before entering the pool.
- **Protect pool occupants:** from water related illnesses by keeping the pool water treated and practicing good hygiene. Consult the water treatment guidelines in the user's manual.
- Store chemicals (e.g.water treatment, cleaning or disinfection products) out of the reach of children.
- Removable ladders shall be placed on a horizontal surface.
- Observe and follow the warnings and safety signs on the pool wall.

METAL FRAME POOL PARTS LIST

Item	Image	SLPLRCT16	SLPLRCT24	SLPLRCT18
U Tube		12	16	12
Horizontal tube (long side)		8	10	8
Horizontal tube (short side)		4	6	4
Pool Cover		1	1	1
Pool ground cover		1	1	1
Pool		1	1	1
Ladder		1	1	1

PARTS REFERENCE

Before assembling your product, please take a few minutes to check the contents and become familiar with all the parts.



NOTE: Drawings for illustration purpose only. Actual product may vary. Not to scale.
(The number of pieces will vary depending on the pool size)

POOL SETUP

IMPORTANT SITE SELECTION AND GROUND PREPARATION INFORMATION



- The pool location must allow you to secure all doors, windows, and safety barriers to prevent unauthorized, unintentional or unsupervised pool entry.
- Install a safety barrier that will eliminate access to the pool for young children and pets.
- Failure to set up the pool on flat, level, compact ground and to assemble, and fill with water in accordance with the following instructions could result in the pool's collapse or the possibility that a person lounging in the pool could be swept out/ejected, resulting in serious injury or property damage.
- **Risk of electric shock:** connect the filter pump only to a grounding type receptacle protected by a ground-fault circuit interrupter (GFCI) or residual current device (RCD). To reduce the risk of an electric shock, do not use extension cords, timers, plug adapters or converter plugs to connect the pump to electric supply. Always provide a properly located outlet. Locate the cord where it cannot be damaged by lawn mowers, hedge trimmers, and other equipment. See Filter Pump manual for additional warnings and instructions.
- **Risk of serious injury:** DO NOT attempt to assemble pool in high wind conditions.

Select an outdoor location for the pool with the following requirements in mind:

1. The area where the pool is to be set up must be absolutely flat and level.
Do not set up the pool on a slope or inclined surface.
2. The ground surface must be compacted and firm enough to withstand the pressure and weight of a fully set up pool. Do not set up the pool on mud, sand, soft or loose soil conditions.
3. Do not set up the pool on a deck, balcony or platform, which may collapse under the weight of the filled pool.
4. The pool requires at least 4 feet of space all around pool from objects that a child could climb on to gain access to the pool.
5. Grass under the pool will be damaged. Splash out chlorinated pool water could damage the surrounding vegetation.
6. Eliminate all aggressive grasses first Certain types of grass such as St. Augustine and Bermuda, may grow through the liner. Grass growing through the liner it is not a manufacture defect and is not covered under warranty.
7. The area shall facilitate drainage of the pool water after each use and/or for long term pool storage.

IMPORTANT

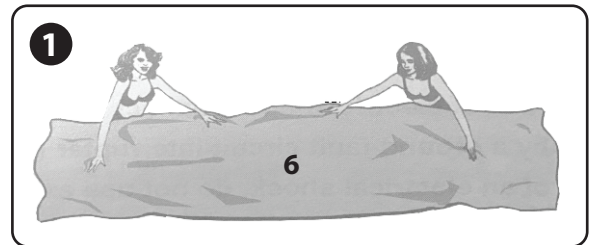
Before allowing anyone to use the pool, hold a family meeting. Establish a set of rules that include, at a minimum, the important safety rules and general aquatic safety information in this manual. Review these rules on a regular basis and with all users of the pool, including guests.

You may have purchased this pool with the filter pump. The pump has its own separate set of installation instructions. First assemble your pool unit and then set up the filter pump.

Estimated assembly time 30-60 minutes, (Note the assembly time is only approximate and individual assembly experience may vary.)

1. Liner Preparation

- Find a flat, level location that is free and clear of stones, branches or other sharp objects that may puncture the pool liner or cause injury.
- Open the carton containing the liner, joints, legs, etc., very carefully as this carton can be used to store the pool during the winter months or when not in use.
- Take out the ground cloth (8) (if included) and spread it over the cleared area. Then take out the liner (6) and spread it out over the ground cloth, with the drain valve directed towards the draining area. Place the drain valve away from the house. Allow the sun to warm up the liner before inserting the beams (5) into the sleeve openings.



IMPORTANT: Always set up the pool unit with at least 2 persons Do not drag the liner across the ground as this can cause liner damage and pool leakage (see drawing 1).

- During the setup of this pool liner, point the hose connections or openings in the direction of the electric power source. The outer edge of the pool should be within reach of the pump's electrical connection.

2. Horizontal Beams Assembly

- The frame pool's legs (7) and beams (5) fall into two groups. The larger diameters are the horizontal beams that are slid (pushed) into the sleeve openings at the top of the liner. The smaller diameters are the vertical legs. Both these legs and beams fit into the T-joints (3).

NOTE:

Sprinkle some talcum powder over the horizontal beams before sliding them into the pool liner sleeve. This will make removal of the beams from the liner easier during the disassembly or the pool.

- Starting at any location, but always working in the same direction, push the horizontal beam into the sleeve. Once the beam is centered take one of the T-joints and attach the joint to one end of the beam. Push the beam firmly into the T-joint. Repeat this procedure in a circular fashion until all the beams and joints have been connected.

NOTE:

It's important to start from one location and work in the same direction until the last attachment. Do not start from multiple locations as this will make the connections difficult for the last few beams and joints.

The last joint connection may be difficult to complete. You can do it though, if you first simultaneously raise the last joint and beam about 2 inches (5cm). Now insert the beam into the joint while lowering the pieces into position. The beam will easily slide into the joint. Ensure that the last joint is fully connected before proceeding to connecting the legs.

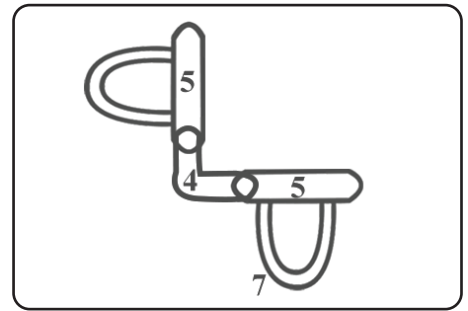
3. Vertical Legs Assembly

Attach the legs (7) end cap (4-1) to the bottom of each leg (7) first. Attach the legs (10) end cap (4-2) to the bottom of each leg (10).

With the beams and T-joints assembly resting on the ground, insert the top of the leg into the bottom of the T-joint (3). Continue the process with all the vertical legs.

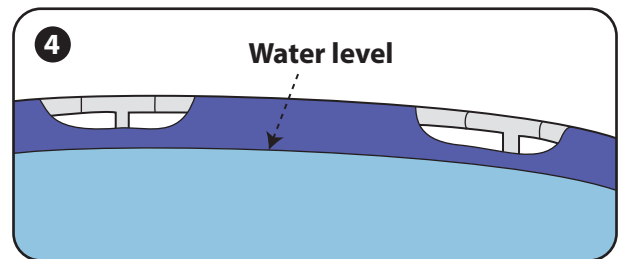
NOTE: This pool size does not come with an all-around center belt.

- Lift the beams assembly and make sure all the legs are a vertical position. Push all the T-joints downward to ensure they are firmly connected to the legs.



Attach the legs end cap (4) to the bottom of each leg (7) first. With the beams and T-joints assembly resting on the ground slide one vertical leg into the belt loop located in the middle of the pool liner and insert the top of the leg into the bottom of the T-joint (3). Continue the process with all the vertical legs.

- Lift the beams assembly and make sure all the legs are in a vertical position. Push all the T-joints downward to ensure they are firmly connected to the legs.
- Pull gently in an outward direction, the bottom of the leg making sure the leg is vertical and perpendicular to the level ground.



4. Filling of the pool

- The following applies to pool liners with hose connectors. The pool was purchased with a filter pump, insert one of the two plugs (8 & 9) into the filter pump outlets. Please follow the Filter Pump Instructions first and then proceed to next installation step.
- Before filling the pool with water, ensure that the drain plug (1) inside the pool is closed and that the drain cap (2) on the outside is screwed on tightly. Fill the pool with no more than 1 inch. (2.5 cm) of water. Check to see whether the water is level.

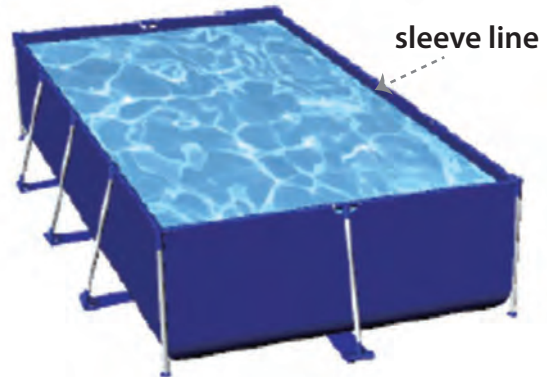
IMPORTANT: If the water in the pool flows to one side, the pool is not completely level. Setting up the pool on unlevel ground will cause the pool to tilt resulting in the sidewall material bulging and a potential collapse or move the pool if the pool is not completely level, you must drain the pool, level the area or move the pool to a different area that is level, and re-fill the pool following the above directions.

- Smooth out the bottom liner wrinkles (from inside the pool) by pushing out where the pool floor and pool sides meet. Or, (from outside pool) reach under the side of the pool, grasp the pool floor and pull in an outward direction. If the ground cloth is causing the wrinkles, have 2 people pull from opposite sides to remove all wrinkles. Use the properly assembled pool ladder when entering or exiting the pool during this process. Also make sure all the legs are vertical and perpendicular to the ground.
- Fill the pool with water up to just below the sleeve line. (see drawing 4)

When the water height more than 8', the water pressure will cause the pool to tilt resulting in both sidewall material in a potential sunken shape, looks like the picture below (pic 1). Pls do not worry, keep filling the pool with water up to the sleeve line, it will shaped rightly as below picture (pic 2).



Pic 1



Pic 2

CLEANING OR REPLACING FILTER CARTRIDGES

It is recommended that the filter cartridge be replaced at least Regularly monitor the filter clogging level.

1. Make sure filter pump is not operating. Disconnect line cord.
2. To prevent water from escaping the pool, unscrew the pool inlet nozzle (10) and strainer grid (11) from the strainer connectors and insert the hat-like plugs into the strainer connectors.
3. In a counter-clockwise motion, remove the filter housing collar (12) and threaded cover (3).
Be careful not to lose the cover seal (4).
4. Remove filter cartridge (5) to clean it. The filter may be cleaned from the spray from a water hose.
5. Use judgement as to whether cartridge needs to be replaced. Only use the original Intex cartridge for replacement. See "**Parts Reference**" section for detail.
6. Return cartridge to filtering position.
7. Return the seal (4) and threaded cover (3) to their original positions and in a clockwise direction re-screw the housing collar (12) onto the filter housing.
8. After service, open the air release valve, remove the plugs, allow any air to escape through the valve before tightening the valve again and replace the pool inlet nozzle (10) and strainer grid (11).
The pump is now primed with water again and may be turned on.
9. Check the inlet and outlet openings regularly to ensure they are not obstructed thus preventing a good filtration.
10. The disposal of any used filter media should be in accordance with applicable local regulation and legislation.

Filter Information

300 gallons: 3.14 × 3.54 inch

FILTER PUMP INSTALLATION and INSTRUCTIONS

IMPORTANT SAFETY INSTRUCTIONS

When installing and using this electrical equipment, basic safety precautions should always be followed, including the following:

1. READ AND FOLLOW ALL INSTRUCTIONS

2. **WARNING** – To reduce the risk of injury, do not permit children to use this product unless they are closely supervised at all times;
3. **WARNING** – Risk of Electric Shock. Connect only to a grounding type receptacle. This product is provided with a ground-fault circuit-interrupter. If replacement of the plug or cord is needed, use only identical replacement parts;
4. For US market only, the unit is provided with a ground-fault circuit-interrupter (GFCI). To test the GFCI, push the test button. The GFCI should interrupt power. Push the reset button. Power should be restored. If the GFCI fails to operate in this manner, the GFCI is defective. If the GFCI interrupts power to the pump without the test button being pushed, a ground current is flowing, indicating the possibility of an electric shock. Do not use this pump. Disconnect the pump and have the problem corrected by a qualified service representative before using;
5. The unit must be connected only to a supply circuit that is protected by a ground-fault circuit-interrupter (GFCI). Such a GFCI should be provided by the installer and should be tested on a routine basis. To test the GFCI, push the test button. The GFCI should interrupt power. Push the reset button. Power should be restored. If the GFCI fails to operate in this manner, the GFCI is defective. If the GFCI interrupts power to the pump without the test button being pushed, a ground current is flowing, indicating the possibility of an electric shock. Do not use this pump. Disconnect the pump and have the problem corrected by a qualified service representative before using;
6. Do not bury cord. Locate cord to minimize abuse from lawn mowers, hedge trimmers, and other equipment;
7. **WARNING** – To reduce the risk of electric shock, replace damaged cord immediately;
8. **WARNING** – To reduce the risk of electric shock, do not use extension cord to connect unit to electric supply; provide a properly located outlet;
9. **CAUTION** – This pump is for use with storable pools only. Do not use with permanently-installed pools. A storable pool is constructed so that it is capable of being readily disassembled for storage and reassembled to its original integrity. A permanently-installed pool is constructed in or on the ground or in a building such that it cannot be readily disassembled for storage;
10. **SAVE THESE INSTRUCTIONS.**

FILTER PUMP EXPLODED DIAGRAM

P1 Air valve screw

P2 Air valve O ring

P3 Filter housing chamber cover

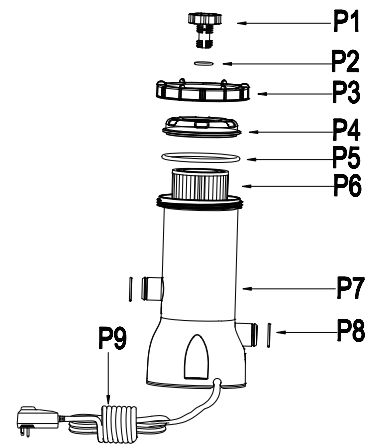
P4 Filter cover rubber ring

P5 Filter

P6 Body

P7 Seal O ring

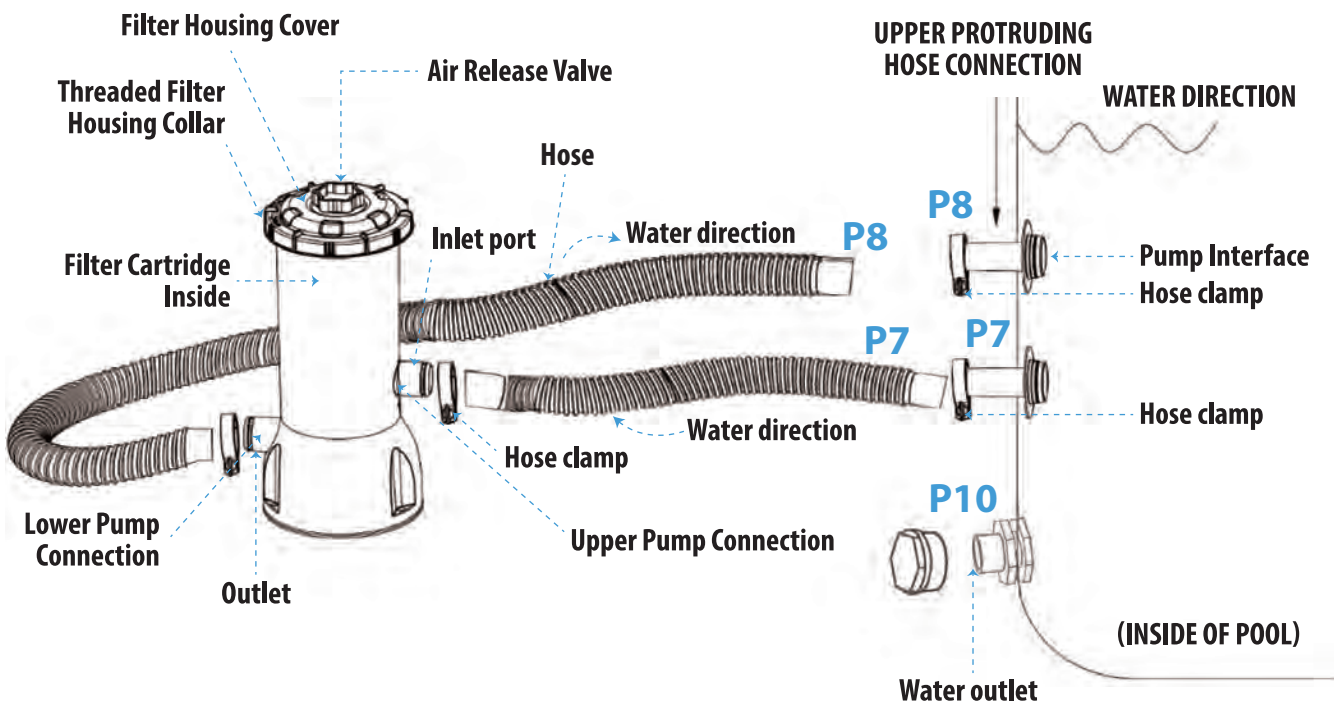
P8 Power cable



1. Set up your Storable Pool exactly. Fill it completely with water.
2. Position the filter pump unit at least 8 inches below the highest water level in the pool.
3. And keep the filter pump at least 2 feet away from the sidewall of the pool.
4. Place filter cartridge into the body of the filter pump.
5. Make certain that the filter chamber rubber gasket is placed in the seal groove on the top of the filter pump.
6. Screw on filter chamber cover onto top of the body of filter pump by hand.
7. Connect the hoses same as the Installation illustration, fixture the pump to the wall of pool. Remember to use hoseclamp, tighten it secondly with screwdriver.
8. Open both wall plug caps (P13) on the inside of the pool and plug in a strainer (P14) for each.
9. Allow time for filter pump chamber to full with water. Never operate the filter pump dry.
10. Connect electrical power cord into a grounded receptacle protected by a ground-fault circuit interrupter (GFCI). Please contact a qualified electrician for verification purposes and/or installation of a GFCI receptacle if necessary.

Please install your filter pump following the Installation Illustration below:

INSTALLATION ILLUSTRATION



FILTER PUMP OPERATING INSTRUCTIONS

1. The filter pump will prime itself as long as it is positioned at least 8 inches below the highest water level is a relief is a relief valve located on the top of the pump. Simply turn the valve knob counter-clockwise, and when a small amount of water escapes, close immediately by turning clockwise. The pump will now be completely primed.
2. Never operate the filter pump dry. This can cause damage to seals which may result in leakage and/or flooding.
3. Prior to each use, check to ensure that all hose-clamps are tightened.
4. Prior to each use, check to ensure that both inside wall plug caps (P13) are open and strainer (P14) have been installed properly.
5. To prevent possible electric shock, do not attempt to plug in electrical power cord with wet hand or while standing in water.
6. The filter pump must operate in the upright, vertical position.
7. The filter pump must be positioned on level, stable ground. The use of a riser or elevated platform is not expected.
8. Once you have confirmed turn on the pump by plug its electrical cord into a ground fault circuit interrupter outlet.
9. To preserve the full life of the pump and to keep the pool filtered properly, your pump should be run approximately 4 to 6 hours per day.
10. Overuse may cause overheating and/or motor burnout. Use good judgment on extremely days and be mindful of running the filter pump continuously for an extended period of time.

FILTER PUMP CLEANING AND REPLACEMENT







1. The filter cartridge in your pump filter system should be replaced approximately once per month.
2. Periodically cleaning of your filter cartridge can enhance the effectiveness of your filter pump and moderately prolong the cartridge's lifespan prior to replacement.
3. Keep the power be disconnecting to the unit when cleaning the filter cartridge.
4. Remove the Strainers inside of the pool, and close the caps of the pools Wall Plugs.
5. Turn the Air Valve Screw to release the air suction inside.
6. Remove the Filter Chamber Cover and the filter chamber rubber gasket, and then take out the filter cartridge.
7. Clean the filter cartridge with a garden hose using a direct powerful waterspray.
8. If the filter cartridge cannot be cleaned effectively in this manner, it is time to replace it with a new cartridge.
9. Your clean (or new) cartridge can be put back into the filter chamber and you can refer to the installation instruction to re-assemble the filter pump unit.

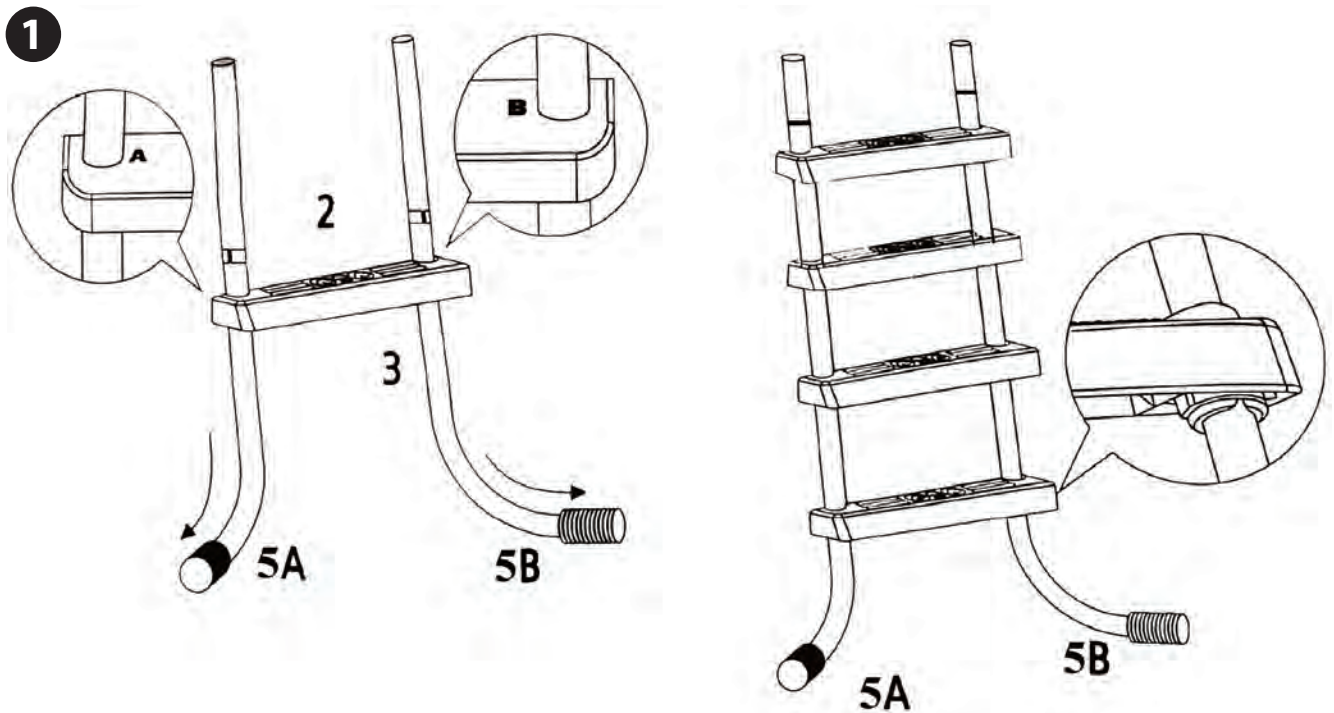
FILTER PUMP GENERAL MAINTENANCE

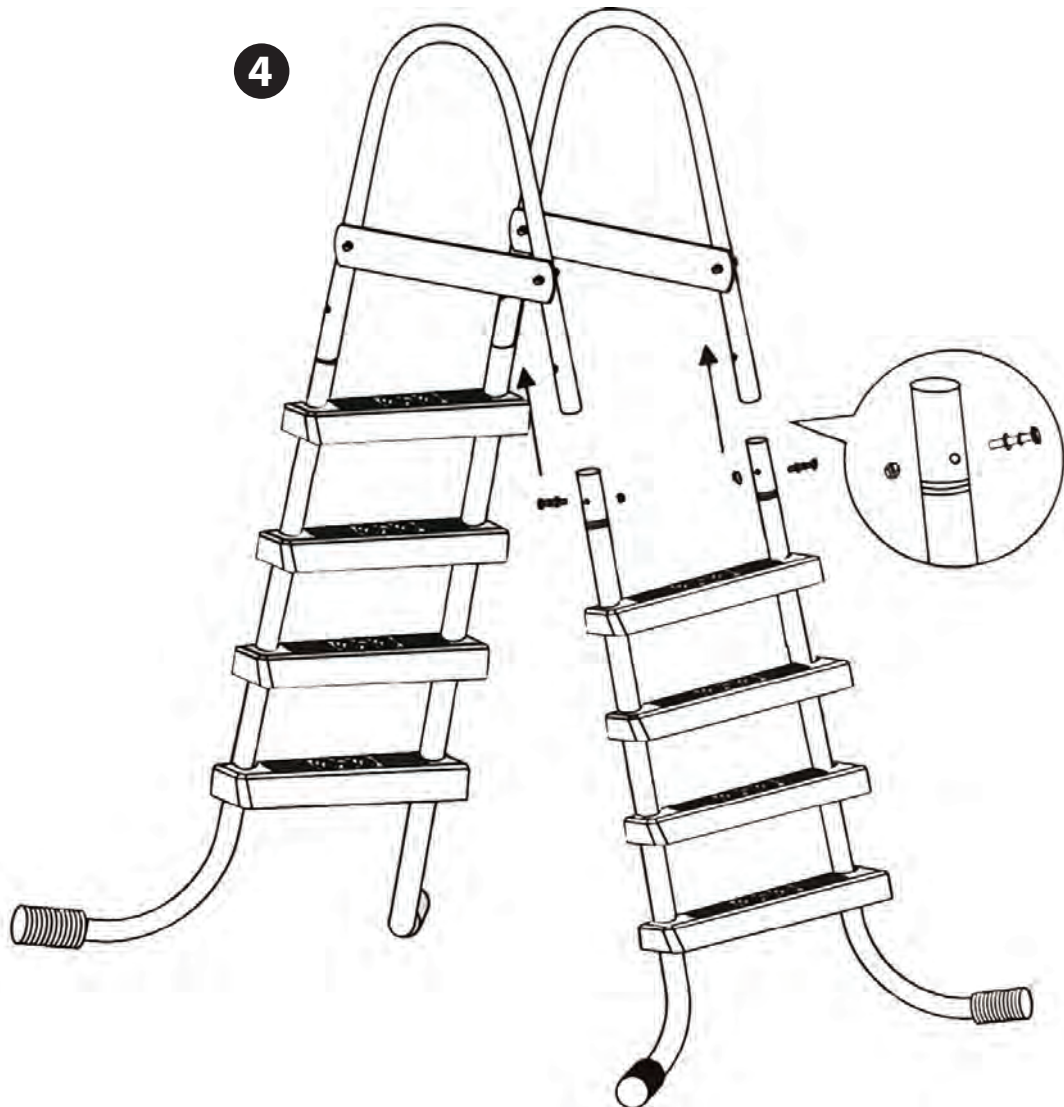
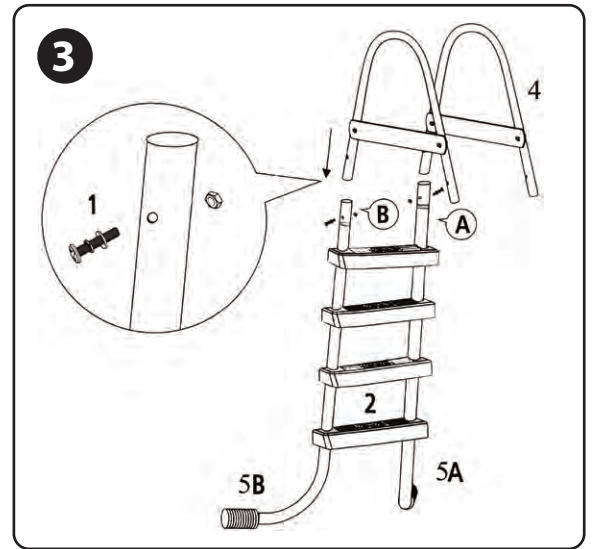
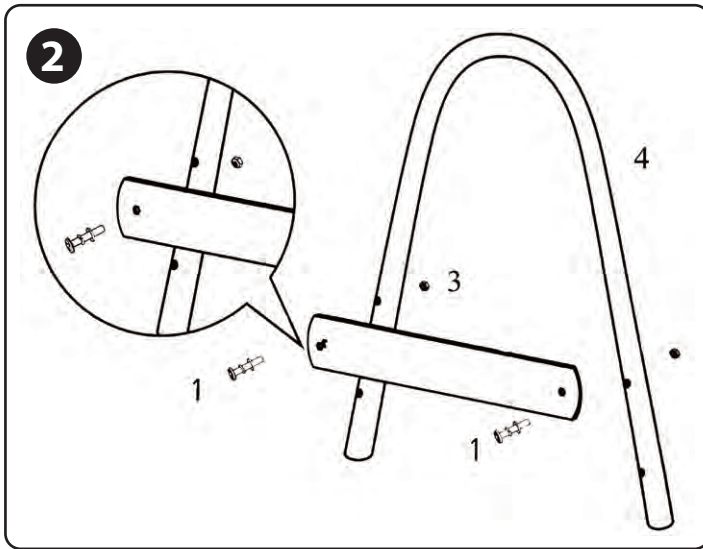
1. To avoid dangerous or fatal electrical shock hazard, always disconnect power to the unit before attempting to clean pump.
2. There is no need for any regular mechanical maintenance of the pump unit.
(Do not attempt to disassemble the pump motor at any time).
3. If necessary, clean outside of pump with a mild detergent and water, rinsing off with a hose.
4. There is no need for the use of any lubricants on the pump.
5. Do not use solvents clean the filter cartridge, as they will cause damage to the plastic components inside the pump.

LADDER ASSEMBLY

SPARE PARTS

ITEM NO.	PIC	DESCRIPTION	QTY
1		Screw	8
2		Stair Step	8
3		Connector for the upper handrails	2
4		U-shaped upper handrail	2
5A		Side bar A	2
5B		Side bar B	2





POOL MAINTENANCE & CHEMICALS



REMEMBER TO:

- Protect all pool occupants from possible water-related illnesses by keeping the pool water clean and sanitized. Do not swallow the pool water. Always practice good hygiene.
- Keep your pool clean and clear. The pool floor must be visible at all times from the outside barrier of the pool.
- Keep children away from pool covers to avoid entanglement, drowning, or other serious injury.

WATER MAINTENANCE

The maintenance of a proper water balance through appropriate use of sanitizers is the single most important factor in maximizing the life and appearance of the liner as well as ensuring clean, healthy and safe water. Proper technique is important for water testing and treating the pool water. See your pool professional for chemical, test kits and testing procedures. Be sure to read and follow the written instructions from the chemical manufacturer.

1. Never let chlorine come in contact with the liner if it is not completely dissolved. Dissolve granular or tablet chlorine first in a bucket of water, then add it to the pool water.
Likewise with liquid chlorine; mix it immediately and thoroughly with the pool water.
2. Never mix chemicals together. Add the chemicals to the pool water separately.
Thoroughly dissolve each chemical before adding another one to the water.
3. Do not use a pressure washer to clean the pool.

TROUBLESHOOTING

PROBLEM	DESCRIPTION	CAUSE	SOLUTION
ALGAE	<ul style="list-style-type: none"> • Greenish water. • Green or black spots on pool liner • Pool liner is slippery and/ or has bad odor. 	Chlorine and pH level need adjustment.	<ul style="list-style-type: none"> • Super chlorinate with shock treatment. Correct pH to your pool store's recommended level. • Vacuum pool bottom. • Maintain proper chlorine level.
COLORED WATER	Water turns blue, brown, or black when first treated with chlorine.	Copper, iron or manganese in water being oxidized by the added chlorine.	<ul style="list-style-type: none"> • Adjust pH to recommended level. • Run filter until water is clear. • Replace cartridge frequently.
FLOATING MATTER IN WATER	Water is cloudy or milky	<ul style="list-style-type: none"> • "Hard warm" caused by a too high pH level. • Chlorine content is low. • Foreign matter in water. 	<ul style="list-style-type: none"> • Correct the pH level. Check with your pool dealer for advice. • Check for proper chlorine level • Clean or replace your filter cartridge.

PROBLEM	DESCRIPTION	CAUSE	SOLUTION
CHRONIC LOW WATER LEVEL	Level is lower than on previous day	Rip or hole in pool liner or hoses.	<ul style="list-style-type: none"> • Repair with patch kit • Finger tighten all caps. • Replace the hoses.
SEDIMENT ON POOL BOTTOM	Dirt or sand on pool floor	Heavy uses, getting in and out of pool.	Use pool vacuum to clean bottom of pool.
SURFACE DEBRIS	Leaves, insects etc.	Pool too close to trees.	Use pool skimmer

POOL MAINTENANCE & DRAINAGE



CAUTION

ALWAYS FOLLOW THE CHEMICAL MANUFACTURER'S DIRECTIONS AND THE HEALTH AND HAZARD WARNINGS.

Do not add chemicals if the pool is occupied. This can cause skin or eye irritation. Concentrated chlorine solutions can damage the pool liner. In no event is SERENELIFE, their related companies, authorized agents and service centers, retailers or employees liable to the buyer or any other party for costs associated with the loss of pool water, chemicals or water damage. Keep spare filter cartridges on hand.

Replace cartridges every two weeks.

EXCESSIVE RAIN: To avoid damage to the pool and over filling, immediately drain rain water that causes the water level to be higher than the maximum.

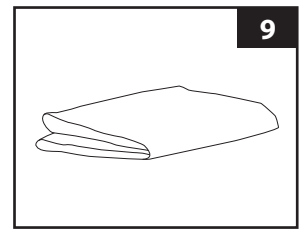
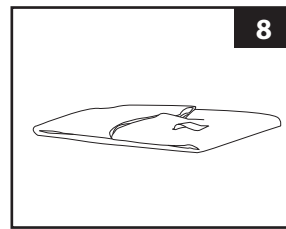
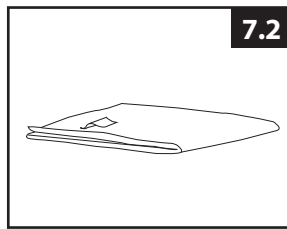
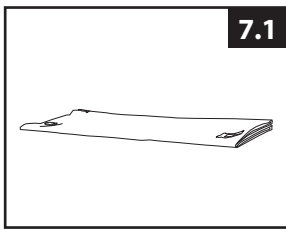
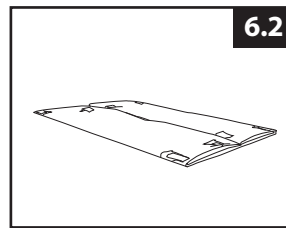
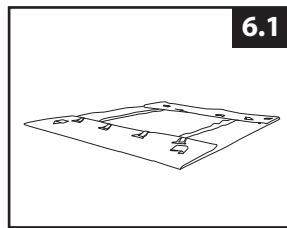
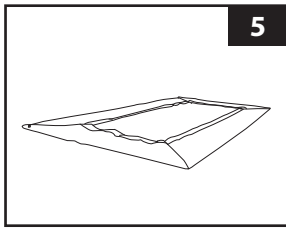
HOW TO DRAIN YOUR POOL AND LONG TERM STORAGE

1. Check local regulations for specific directions regarding disposal of swimming pool water
2. Check to make sure that the drain plug inside the pool is plugged in place
3. Remove the cap from the drain valve on the outside pool wall
4. Attach the female end of the garden hose to the drain connector (1)
5. Place the other end of the hose in an area where the water can be safely drained away from the house and other nearby structures
6. Attach the drain connector to the drain valve.

NOTE: The drain connector will push the drain plug open. Inside the pool and water will start to drain immediately.

7. When the water stops draining, start lifting the pool from the side opposite the drain, leading any remaining water to the drain and emptying the pool completely.
8. Disconnect hose and adapter when finished
9. Re-insert drain plug in drain valve on inside of pool for storage
10. Replace drain cap on outside of pool.
11. Reverse set-up instructions to disassemble the pool, and remove all connecting parts.
12. Be sure that the pool and all parts are completely dry before storage. Air dry the liner in the sun until completely dry before folding (see drawing 5). Sprinkle some talcum powder to prevent the vinyl from sticking together and to absorb any residual missed.
13. Create a square shape. Starting at one side, fold one-sixth of liner in on itself twice. Do the same on the opposite side (see drawings 6.1 & 6.2)
14. Once you have created two opposing folded sides, simply fold one over the other like closing a book (see drawings 7.1 & 7.2).

15. Fold the two long ends to the middle (see drawing 8).
16. Fold one over the other like closing a book and finally compact the liner (see drawing 9)
17. Store the liner and accessories in a dry, temperature controlled between 32 degrees Fahrenheit (0 degrees Celsius) and 104 degrees Fahrenheit (40 degrees Celsius), storage location.
18. The original packing can be used for storage.



WINTER PREPARATIONS

Winterizing your Above Ground Pool

After usage, you can easily empty and store away your pool in a safe place. You must drain, disassemble and properly store the pool when the temperature drops below 41 degree Fahrenheit (5 degrees Celsius) to prevent ice damage to the pool and related components. Ice damage can result in sudden liner failure or pool collapse. Also see the section "How To Drain Your Pool".

Should temperatures in your area not drop below 41 degrees Fahrenheit (5 degrees Celsius), and you choose to leave your pool out, prepare it as follows:

1. Clean the pool water thoroughly. If the type is an Rectangular or Round Frame Pool, make sure that the top ring is properly inflated.
2. Remove the skimmer (if applicable) or any accessories attached to the threaded strainer connector. Replace strainer grid if necessary. Be sure all accessories parts are clean and completely dry before storage.
3. Plug the Inlet and Outlet fitting from the inside of the pool with the plug provided (sizes 16' and below). Close the Inlet and Outlet Plunger Valve (sizes 17' and above).
4. Remove the ladder (if applicable) and store in a safe place. Be sure the ladder is completely dry before storage.
5. Remove the hoses that connect the pump and filter to the pool.
6. Add the appropriate chemicals for the winter period. Consult your local pool dealer as to which chemicals you should use and how to use them. This can vary greatly by region.
7. Cover pool with Pool Cover. **IMPORTANT NOTE: POOL COVER IS NOT A SAFETY COVER.**
8. Clean and drain the pump, filter housing and hoses. Remove and discard the old filter cartridge. Keep a spare cartridge for the next season.
9. Bring pump and filter parts indoors and store in a safe and dry area, preferably between 32 degrees Fahrenheit (0 degrees Celsius) and 104 degrees Fahrenheit (40 degrees Celsius).

GENERAL AQUATIC SAFETY

Water recreation is both fun and therapeutic. However, it involves inherent risks of injury and death. To reduce your risk of injury, read and follow all product, package and package insert warnings and instructions. Remember, however, that product warnings, instructions and safety guidelines cover some common risks of water recreation, but do not cover all risks and dangers.

For additional safeguards, also familiarize yourself with the following general guidelines as well as guidelines provided by nationally recognized Safety Organizations:

- Demand constant supervision. A competent adult should be appointed as a “lifeguard” or water watcher, especially when children are in and around the pool.
- Learn to swim.
- Take the time to learn CPR and first aid.
- Instruct anyone who is supervising pool users about potential pool hazards and about the use of protective devices such as locked doors, barriers, etc.
- Instruct all pool users, including children what to do in case of an emergency.
- Always use common sense and good judgement when enjoying any water activity.
- **Supervise, supervise, supervise.**

TROUBLESHOOTING GUIDE

PROBLEM	CAUSE	SOLUTION
FILTER MOTOR FAILS TO START	<ul style="list-style-type: none"> • The motor is not plugged in • The GFCI/RCD circuit breaker is tripped • Motor too hot and overload protection is shut off. 	<ul style="list-style-type: none"> • Filter cord must be plugged into a 3 wire outlet that is protected by a Class A Ground Fault Circuit Interrupter, or RCD. • Reset circuit breaker. If circuit breaker trips repeatedly, your electrical system may have a defect. Turn off circuit breaker and call an electrician to correct the problem. • Let the motor cool down.
FILTER DOESN'T CLEAN POOL	<ul style="list-style-type: none"> • Improper chlorine or pH levels • Filter cartridge is dirty • Damaged cartridge • Excessively dirty pool. • The strainer screen is restricting the water flow. 	<ul style="list-style-type: none"> • Adjust the chlorine and pH level. Consult your local swimming pool supply stores. • Clean or replace cartridge. • Check the cartridge for holes. Replace if damaged • Operate the filter for longer periods. • Clean the strainer screen at the inlet.
FILTER DOESN'T PUMP WATER OR FLOW IS VERY SLOW	<ul style="list-style-type: none"> • Clogged inlet or discharge • An air leak on the intake line. • Scale or buildup on cartridge. • Excessively dirty pool. • Dirty filter cartridge. • The nozzle and strainer connection are reversed. • Pool inlet air adaptor connected to the wrong fitting. 	<ul style="list-style-type: none"> • Clear any obstructions in the intake hose by discharging it inside pool wall. • Tighten hose clamps, check hoses for damage, check pool water level. • Replace cartridge. • Clean cartridge more often. • Install the nozzle at the upper position of the pool inlet, and the strainer at the lower position of the pool outlet. • Make sure the pool inlet air adaptor is connected to the pool inlet upper fitting.

PROBLEM	CAUSE	SOLUTION
PUMP DOESNT WORK	<ul style="list-style-type: none"> • Low water level • Strainer screen plugged up • An air leak on the intake hose • Faulty motor or the impeller is jammed. • An air lock inside the cartridge chamber. 	<ul style="list-style-type: none"> • Fill pool to correct water level. • Clean strainer screens at pool inlet. • Tighten hose clamps, check hose for damage. • Clear any sticks or leaves in the intake hose. • Open the release valve at top of pump.
TOP COVER LEAKING	<ul style="list-style-type: none"> • O-ring missing • Cover or air release valve are not tighten. 	<ul style="list-style-type: none"> • Remove cover & check for O-ring. • Tighten cover or valve (Manually).
HOSE LEAKING	<ul style="list-style-type: none"> • Hose clamps are not well-fitted. • Hose o-ring dislodged when connecting the hose. • Hose broken. 	<ul style="list-style-type: none"> • Tighten or change hose clamps. • Put the o-ring back into the groove. • Replace a new hose.
AIR LOCK	There's air trapped in the pump housing and inlet hose.	Open air release valve, lift and lower the inlet hose until water starts to flow out of the air release valve, close air release valve.
POOL INLET AIR ADAPTOR/AIR JET VALVE LEAKING	<ul style="list-style-type: none"> • Hose clamps are not well-fitted. • Air jet valve is not tight and facing up. • Air jet valve internal seal blocked. • Air jet valve internal seal dirty. • Air jet valve broken. 	<ul style="list-style-type: none"> • Tighten or reinstall hose clamps. • Tighten air jet valve and make sure it's facing up. • Plug in the pump and run for few seconds, then unplug, repeat 3 times. • Remove air jet valve, flush dirt out with water and replace valve back. • Replace a new air jet valve

IMPORTANT

If you continue to experience difficulty, please contact our Consumer Service Department for assistance.

LIMITED WARRANTY

Your Pool has been manufactured using the highest quality materials and workmanship.

All products have been inspected and found free of defects prior to leaving the factory.

This Limited Warranty applies to the *SERENELIFE* Pool only.

This limited warranty is in addition to, and not a substitute for, your legal rights and remedies. To the extent that this warranty is inconsistent with any of your legal rights, they take priority. For example, consumer laws across the European Union provide statutory warranty rights in addition to the coverage you receive from this limited warranty: for formation on EU-wide consumer laws, please visit the European Consumer Center Website at <https://ec.europa.eu/consumers/ecc/contact-en/htm>.

The provisions of this Limited Warranty apply only to the original purchaser and are not transferable. This Limited Warranty is valid for the period noted below from the date of the initial retail purchase. Keep your original sales receipt with this document, as proof of purchase will be required and must accompany warranty claims or the Limited Warranty will be invalid. Pool Liner and Frame Warranty-1 Year.

If you find a manufacturing defect in **SERENELIFE** Pool during the warranty period, please contact the appropriate Service Center. If the item is returned as directed by the Service Center, the Service Center will inspect the item and determine the validity of the claim. If the item is covered by the provisions of the warranty, the item will be repaired or replaced, with the same or comparable item at no charge to you.

Other than this warranty, and other legal rights in your country, no further warranties are implied.

To the extent possibly in your country, in no event shall **SERENELIFE** be liable to you or any third party for direct or consequential damages arising out of the use of your pool, (including the manufacture of the product). If your country does not allow the exclusion or limitation of incidental or consequential damages, this limitation or exclusion does not apply to you.

You should note that this limited warranty does not apply in the following circumstances:

- If the Pool is subject to negligence, abnormal use or application, accident, improper operation, improper maintenance or storage.
- If the Pool is subject to damage by circumstances beyond **SERENELIFE**'s control, including but not limited to, punctures, tears, abrasions, ordinary wear and tear and damage caused by exposure to fire, flood, freezing, rain, or other external environmental forces;
- To parts and components not sold by **SERENELIFE** and/or
To unauthorized alterations, repairs or disassembly to the **SERENELIFE** Pool by anyone other than **SERENELIFE** Service Center personnel.

The costs associated with the loss of pool water, chemicals or water damages are not covered by this warranty. Injury or damage to any property or person is not covered by this warranty.

Read the owner's manual carefully and follow all instructions regarding proper operation and maintenance of your Pool. Always inspect your product prior to use.

This limited warranty will be void if use instructions are not followed.

WHAT'S IN THE BOX:

- Steel Frame
- Pool
- Ladder
- Filter
- Pool Cover
- Plastic Spare Parts

FEATURES:

- Great Quality Materials
- Lightweight PVC and 3-Ply PVC
- Tear-Resistant and Durable Steels that Provide Safeguard
- Easy Step to Assemble
- Rust-proof and Anti-corrosion Tech
- Trigonal Lock System
- Quick Installation
- No Tools Required
- Antimicrobial Filter Cartridge
- Extends Lifespan and Quality Filtering
- Steel Frame Construction
- Provide Durable Support for Longer-lasting Use
- Inflates & Deflates Easily - Easy to Store
- Great for Parties or Personal Relaxation

TECHNICAL SPECS:

- Construction Materials: Steel, PVC, ABS
- Cover: Nylon (Blue and Orange)
- Pool type: Rectangular Metal Frame Above Ground Pool

SLPLRCT16

- Recommended Age: 6+
- Capacity: 1-10 persons
- Water Capacity: 10874L
- Filter Pump Power Supply: 110V-120V, 0.25A
- Pump Flow Rate: 300Gal/hr
- Ladder Height: 42" -inches
- Overall Dimensions: 211.2" x 115.2" x 42" -inches

SLPLRCT18

- Recommended Age: 8+
- Capacity: 1-12 persons
- Water Capacity: 17203L
- Filter Pump Power Supply: 110V-120V, 0.25A
- Pump Flow Rate: 300Gal/hr
- Ladder Dimensions: 52" -inches
- Overall Dimensions: 216" x 108" x 52" -inches

SLPLRCT24

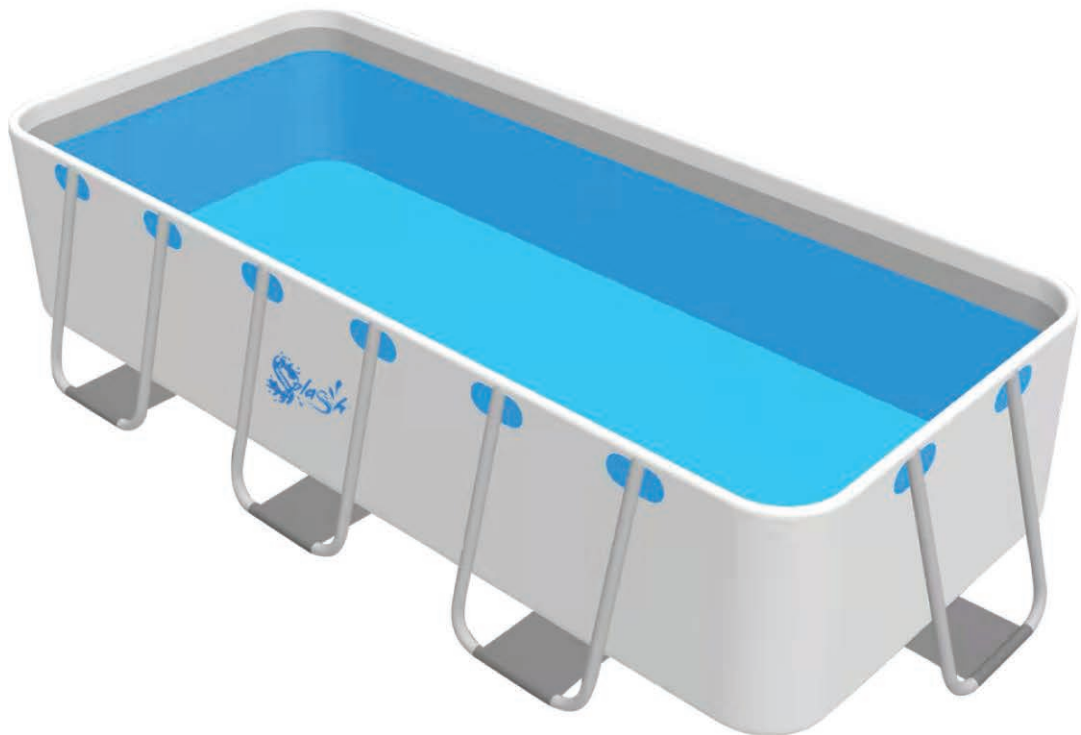
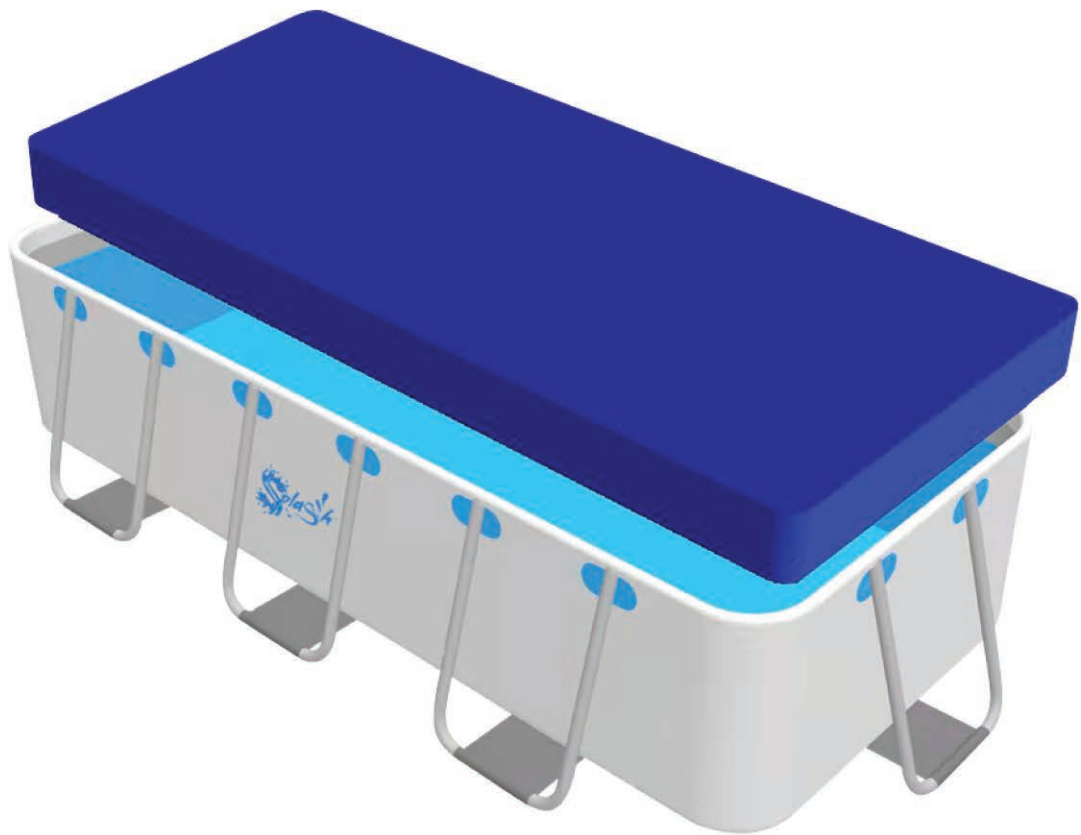
- Recommended Age: 8+
- Capacity: 1-16 persons
- Water Capacity: 31800L
- Filter Pump Power Supply: 120V/35W, 0.4A
- Pump Flow Rate: 530Gal/hr
- Ladder Dimensions: 52" -inches
- Overall Dimensions: 288" x 144" x 52" -inches

California Prop 65 Warning

 **WARNING:**

This product contains Cadmium (Cd) which is known to the state of California to cause cancer birth defects and other reproductive harm. Do not ingest.

For more info go to: www.P65warnings.ca.gov





Questions? Comments?

We are here to help!

Phone: (1) 718-535-1800

Email: support@pyleusa.com