



serenelife[∞]™



SLPPT15

Durable Indoor Table Tennis Table
Designed with MDF Table Top for Optimal Bounce

User Manual

IMPORTANT SAFETY NOTICE

For your safety and benefit, read this manual carefully before starting assembly and using this product. Failure to follow the instructions and safety precautions in this manual can result in serious injury or damage to equipment.

SAFETY INFORMATION:

- **DO NOT** allow children to open table. **ADULTS ONLY** should open, close, adjust, or move table.
- **DO NOT** leave children unattended with table.
- **DO NOT** climb, sit, jump, lean, or stand on table. Table is not intended to be weight bearing and serious injury may result.
- Table should only be placed on a flat, level surface to ensure stability.

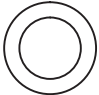
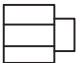
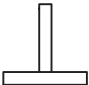

CARE AND MAINTENANCE:

- This table is intended for indoor use only.
- Examine your table regularly for wear and tear. Discontinue use immediately if any defect or damaged parts are found.
- When not in use, store table in a dry, indoor space. Condensation and moisture can cause damage to table top.
- **ALWAYS** ensure wheel locks are properly engaged when stored to secure table.

GENERAL ASSEMBLY WARNINGS:

- **ADULTS ONLY** should assemble table. At least two (2) to three (3) adults are required for full assembly. Tables are **HEAVY** and **SHOULD NOT** be lifted or assembled alone.
- **ALWAYS** wear appropriate safety equipment during assembly, especially if operating power tools.
- Assembly area should be clear of children and pets.
- To avoid damage to table top surface, assemble on a dry, flat, and clear area.
- **DO NOT** tighten hardware until instructed. Only hand tighten at appropriate steps to secure lock nuts.

HARDWARE LIST PAGE

SKETCH	INDEX NAME	SPEC	QUANTITY
	H1	BOLT M8	8
	H2	NOKED Ø8	16
	H3	NUT M8	8
	H4	TTYPE LEG	4
	H5	CASTER	8
	H6	WHEEL	8

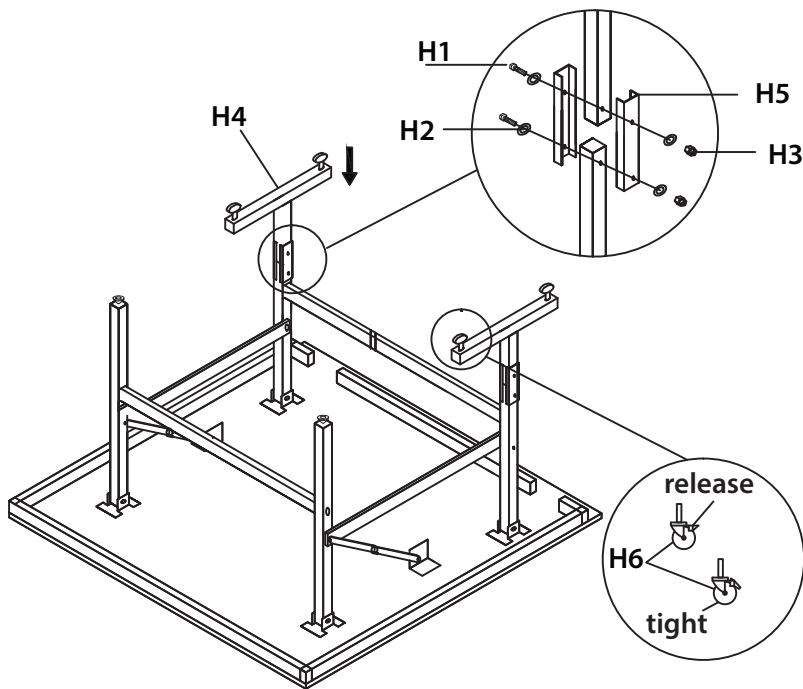
ASSEMBLY INSTRUCTIONS

1. The packing can be divided into two parts.

One packing is for table, two groups of H type under carriages & two pieces of connecting shafts for the purpose of joining two supporting frames. Another packing is for four groups of T-type supporting frame assembled with wheels.

2. DIRECTION OF INSTALLATION:

- a. Owing to the situation that the table is heavy, person for installing or moving table should be two or more.
- b. After open the carton, please reverse the table and put down on the carton put on the ground.
- c. Please take out two pieces of connecting shafts and release the bolts on both ends of the shaft.



Features:

- Box Steel Apron for Durability
- Comes with 50% Pre-assembled
- Easy Set-up by Two People in just 10 minutes
- Includes Net and Clip Set
- For Indoor Use Only
- DSG Exclusive
- Swivel Wheels with Locking Casters for Safe Transport
- Blue Finish
- 4/5"x1-3/5" Box Steel Apron
- Foldable Design and Simple & Fast Assembly
- Leg Levelers and Bumper Corners for Stability and Protection



What's in the Box:

- Table tennis table
- Net and clip set
- Instruction book

Technical Specs:

- Wheel diameter: 3" -inches
- Construction Material:MDF+STEEL
- Table Top Thickness: 7/10" -inches
- Lockable Casters Length: 3" -inches
- Net Length: 66-1/5" -inches
- Playback Position Dimensions (L x W x H): 107-9/10" x 60" x 7/10" -inches
- Storage Position Dimensions (L x W x H): 63" x 57" x 5" -inches
- Table Dimensions (L x W x H): 107-9/10" x 60" x 29-9/10" -inches

The logo for serenelife features the word "serenelife" in a lowercase, rounded, sans-serif font. A small blue infinity symbol is positioned above the letter "e". A trademark symbol (TM) is located at the end of the word. The background consists of light blue wavy lines at the top and a dark blue wavy band at the bottom.

serenelife™

Questions? Issues?

We are here to help!

Phone: (1) 718-535-1800

Email: support@pyleusa.com