



serenelife[∞]™



SLPPTB22

Durable Indoor Table Tennis Table
Designed with MDF Table Top for Optimal Bounce

User Manual

IMPORTANT SAFETY NOTICE

For your safety and benefit, read this manual carefully before starting assembly and using this product. Failure to follow the instructions and safety precautions in this manual can result in serious injury or damage to equipment.

SAFETY INFORMATION:

- **DO NOT** allow children to open table. **ADULTS ONLY** should open, close, adjust, or move table.
- **DO NOT** leave children unattended with table.
- **DO NOT** climb, sit, jump, lean, or stand on table. Table is not intended to be weight bearing and serious injury may result.
- Table should only be placed on a flat, level surface to ensure stability.

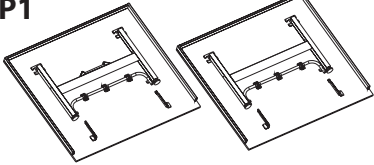


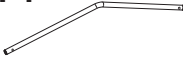





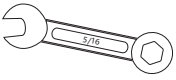
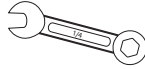

















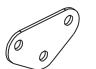

CARE AND MAINTENANCE:

- This table is intended for indoor use only.
- Examine your table regularly for wear and tear. Discontinue use immediately if any defect or damaged parts are found.
- When not in use, store table in a dry, indoor space. Condensation and moisture can cause damage to table top.
- **ALWAYS** ensure wheel locks are properly engaged when stored to secure table.

GENERAL ASSEMBLY WARNINGS:






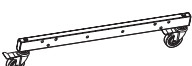
- **ADULTS ONLY** should assemble table. At least two (2) to three (3) adults are required for full assembly. Tables are **HEAVY** and **SHOULD NOT** be lifted or assembled alone.
- **ALWAYS** wear appropriate safety equipment during assembly, especially if operating power tools.
- Assembly area should be clear of children and pets.
- To avoid damage to table top surface, assemble on a dry, flat, and clear area.
- **DO NOT** tighten hardware until instructed. Only hand tighten at appropriate steps to secure lock nuts.
- Power drills can be useful, but ensure equipment is set to low torque before use. If over-tightened, screws can be stripped.

HARDWARE LIST PAGE

P1  Table Tennis Table Top 2.PCS		P2  Caster Beams 2.PCS		P3  Middle Plate 1.PCS	
P4  Support Tube 4.PCS	P5  Strut Tube 4.PCS	P6  Accessory Holder 3.PCS			
P7  Net Clipper 2.PCS		P8  Net 1.PCS			
TOOLS REQUIRED FOR ASSEMBLY (NOT INCLUDED)					
 Phillips Head Screwdriver		 5/16" Wrench (x2)		 1/4" Wrench (x2)	
H1  Bolt M10x110MM 4.PCS	H2  Bolt M10x75MM 8.PCS	H3  Bolt M8x90MM 4.PCS			
H4  Bolt M8x60MM 4.PCS		H5  Bolt M6x45MM 4.PCS		H6  M10 Lock nut 12.PCS	
H7  M8 Lock nut 8.PCS		H8  M6 Lock nut 6.PCS		H9  M10 Plastic Spacer 4.PCS	
H10  M10 Plastic Washer 8.PCS		H11  M8 Plastic Washer 4.PCS		H12  M6 Plastic Spacer 4.PCS	
H13  M10 Washer 24.PCS		H14  M8 Washer 16.PCS		H15  M6 Washer 8.PCS	
H16  3.0x12MM Screw 4.PCS		H17  Stop Spool 8.PCS		H18  Triangle Support Plates 4.PCS	
H19  M6x15mm Phillips Head Machine Bolt 2.PCS					

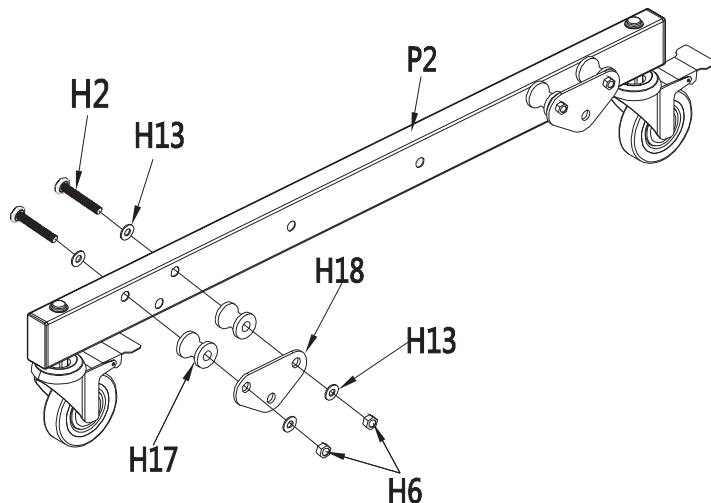
STEP 1

Hardware Needed:

H2 Bolt M10x75MM 8.PCS	
H13 M10 Washer 16.PCS	
H17 Stop Spool 8.PCS	
H18 Triangle Support Plates 4.PCS	
H6 M10 Lock nut 8.PCS	
P2 Caster Beams 2.PCS	

WARNING:




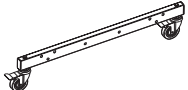

Clear area of small children and pets

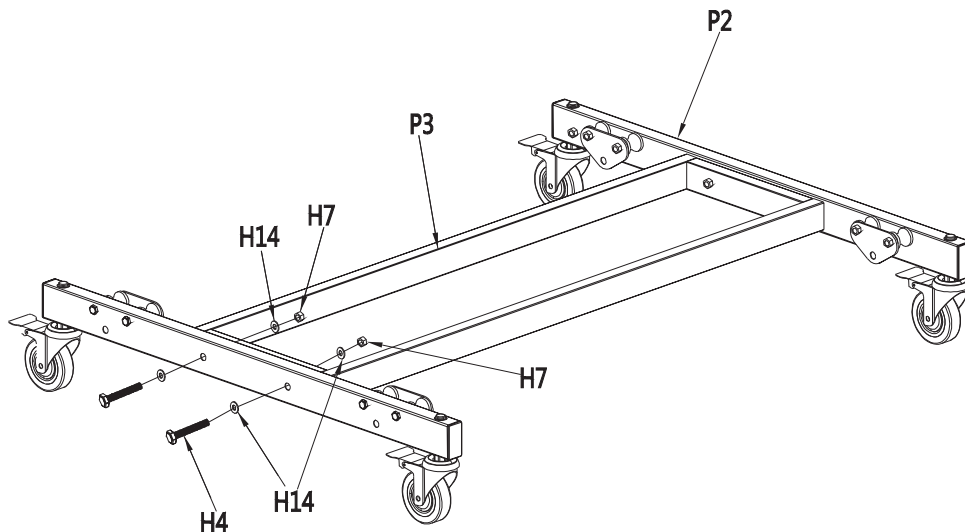


- Before beginning, ensure you have cleared an area large enough for the table to be assembled.
- Align Triangle Support Plate with Caster Beam to line up holes. Thread the bolt in the following order: Bolt (H2) through a Washer (H13), the Caster Beam (P2), a Stop Spool (H17), the Triangle Support Plate (H18), another Washer (H13), and Lock Nut (H6).
- Hand tighten only. DO NOT tighten completely, as nuts/bolts will be adjusted in a later step.
- **NOTE:** For easiest set up, try to attach both bolts at the same time on each end.
- Repeat steps for all four sections (x4).

STEP 2

Hardware Needed:










H4 Bolt M8x60MM 4.PCS	
H7 M8 Lock nut 4.PCS	
H14 M8 Washer 8.PCS	
P2 Caster Beams 2.PCS	
P3 M10 Lock nut 8.PCS	

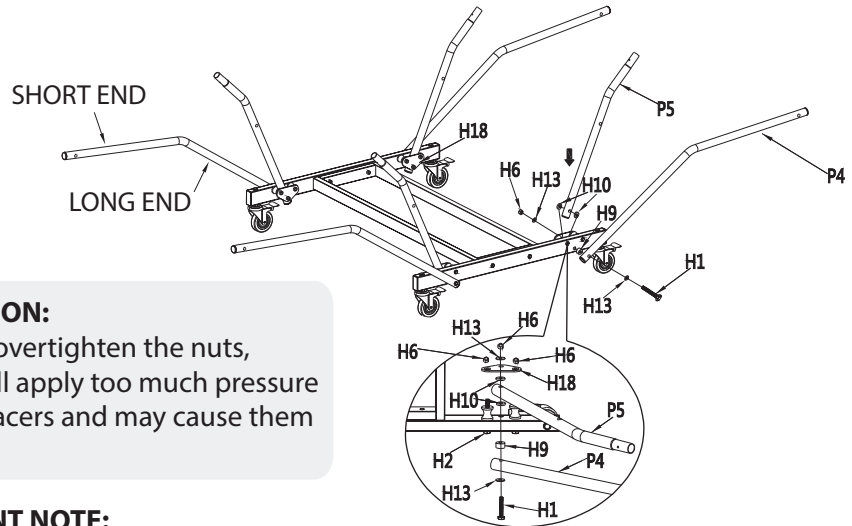


- Attach Middle Plate (P3) to Caster Beams (P2) as shown in the above image.
- Thread the Bolt (H4) through the Washer (H14), both Steel Frames, another Washer (H14) and secure with Lock Nut (H7).
- Repeat for both Caster Beams then tighten completely.

STEP 3

Hardware Needed:

H1 Bolt M10x110MM 4.PCS	
H6 M10 Lock nut 4.PCS	
H9 M10 Plastic Spacer 4.PCS	
H10 M10 Plastic Washer 8.PCS	
H13 M10 Washer 8.PCS	
H18 Triangle Support Plates 4.PCS	
P2 Caster Beams 2.PCS	
P4 Support Tube 4.PCS	
P5 Strut Tube 4.PCS	



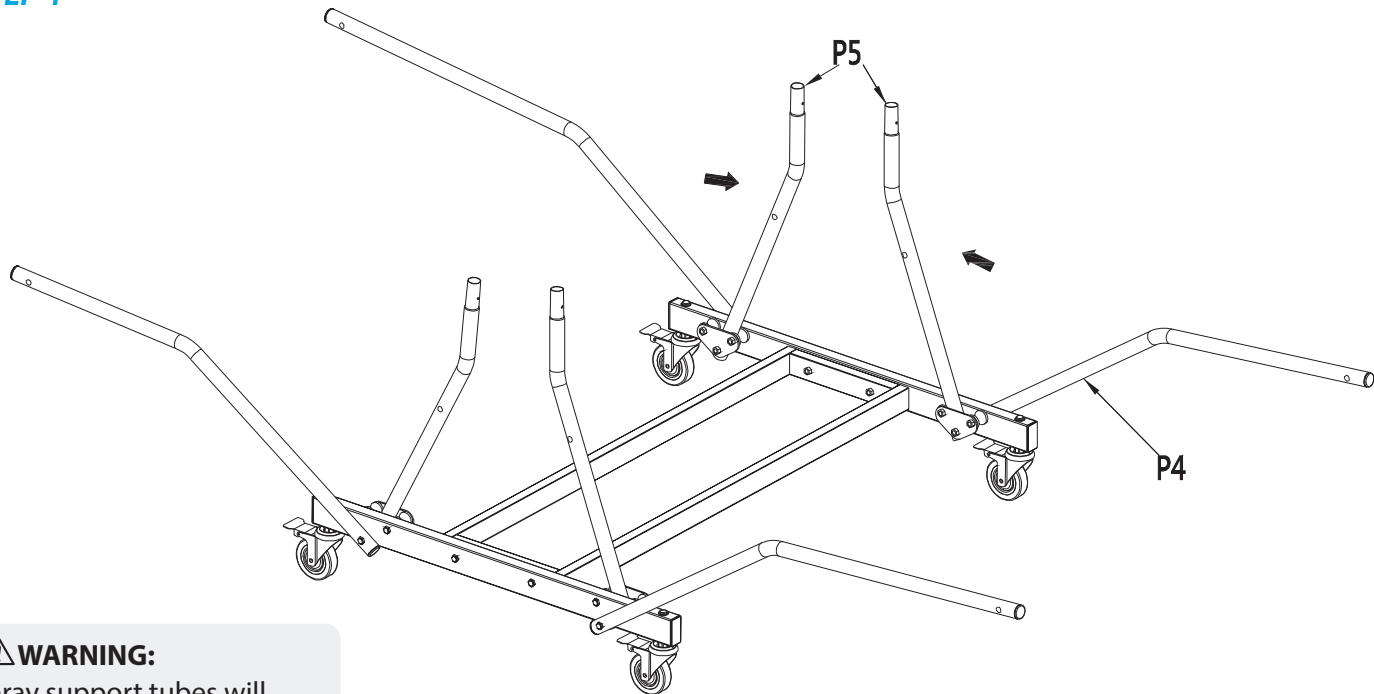
⚠ CAUTION:

DO NOT overtighten the nuts, as this will apply too much pressure to the spacers and may cause them to crack.

IMPORTANT NOTE:

- The Gray Support Tube should have the longer end attached to the Caster Beam, bending up and out.
- The Black Strut Tube should have the longer end attached to the Caster Beam, bending up and out.
- If needed, loosen the Lock Nuts assembled in step 1.
- Thread the bolt in the following order: Bolt (H1) through Washer (H13), Gray Support Tube (P4), Plastic Spacer (H9), Caster Beam (P2), Plastic Washer (H10), Black Strut Tube (P5), Plastic Washer (H10), Triangle Support Plate (H18), Washer (H13), securing with Lock Nut (H6).
- Repeat steps for all four sections.
- Ensure all nuts are securely tightened before moving onto the next step.

STEP 4



⚠ WARNING:

Gray support tubes will protrude into assembly area, posing a potential tripping hazard. Exercise caution when completing the remaining assembly steps.

- Place the Strut Tubes (P5) in a upward position and lay the Gray Support Tubes (P4) down in front to avoid interference while attaching the Table Top.

STEP 5

Hardware Needed:

P1

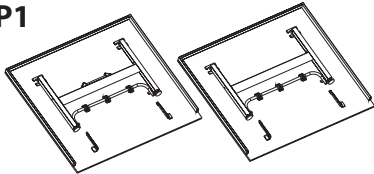
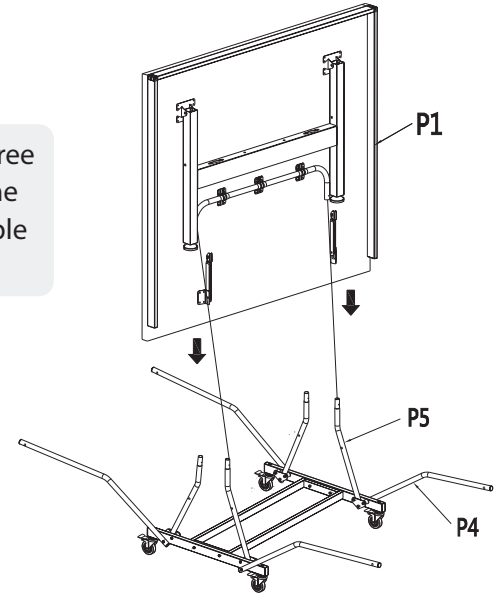


Table Tennis Table Top 2.PCS

⚠ WARNING:

- At least (2) to three (3) adults are required for the following steps.
- **DO NOT** attempt to assemble alone, as this may lead to serious injury.
- **DO NOT** open the table to playing position until all support beams and hinges are attached to table frame.
- **DO NOT** leave table unattended in standing position. Table could be knocked over, causing serious injury or property damage.




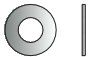
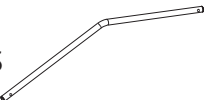
ASSEMBLY TIP: if there are three (3) assemblers, have two lift the table with one guiding the table onto the tubes.

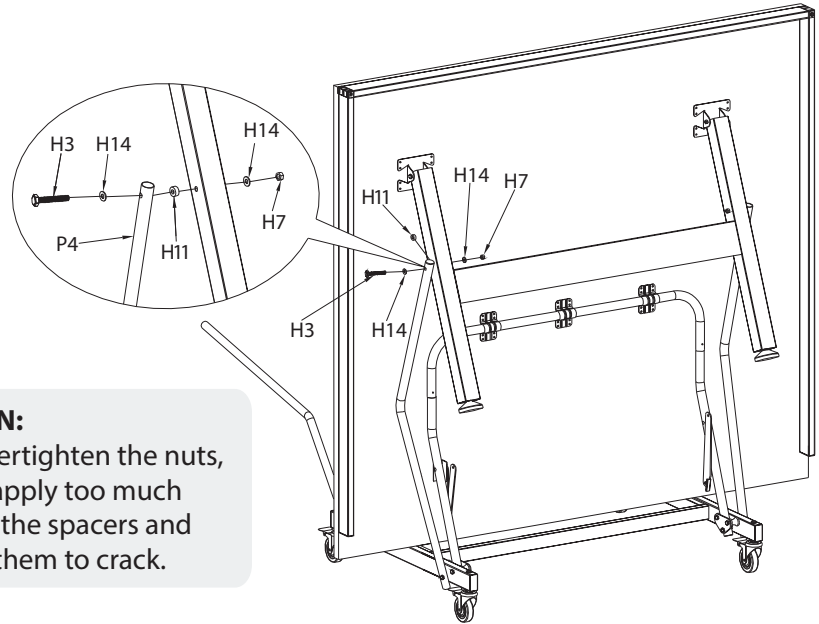


- With at least one adult on each side of the table, align the table top U-Beam with the Black Strut Tubes on the Table Base. In an even and controlled manner, lower the Table Top to avoid misalignment while attaching to the Table Base.
- Make sure the pre-drilled holes on the U-Beam line up with the pre-drilled holes on the Black Support Beam. This is important for a later step.
- Continue on to next step. Once complete with Step 8, you will repeat steps 5-8 for the other table top

STEP 6

Hardware Needed:

H3 Bolt M8x60MM 4.PCS	
H7 M8 Lock nut 4.PCS	
H11 M8 Plastic Washer 4.PCS	
H14 M8 Washer 8.PCS	
P4 Support Tube 4.PCS	



⚠ CAUTION:
DO NOT overtighten the nuts, as this will apply too much pressure to the spacers and may cause them to crack.

⚠ WARNING:

- DO NOT open the table to playing position until all support beams and hinges are attached to table frame.
- DO NOT leave table unattended in the upright position. Table is not secure yet and can be knocked over causing bodily injury or property damage

Support Attachment

- Attach Gray Support Tube (P4) to the outside of the Table Leg. Thread the bolt in the following order: Bolt (H3) through Washer (H14), through Gray Support Tube (P4), through Plastic Spacer (H11), through Table Leg, Washer (H14), securing with Lock Nut (H7).
- Secure tightly and repeat step for other Gray Support Tube.

STEP 7

Hardware Needed:

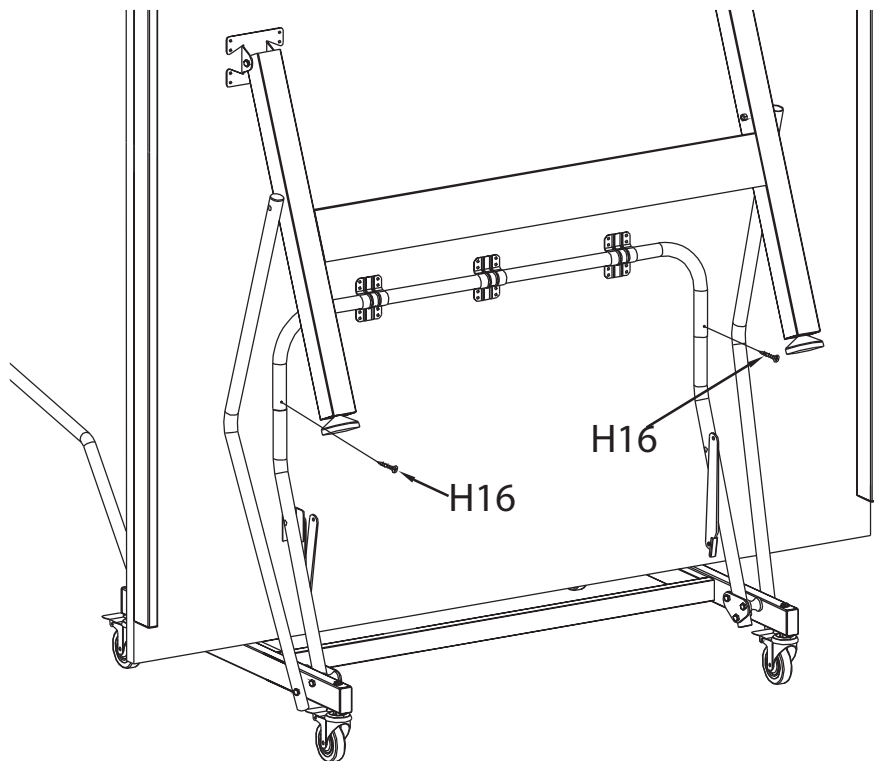
H16

3.0x12MM Screw 4.PCS



⚠ WARNING:





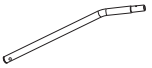
- **DO NOT** open the table to playing position until all support beams and hinges are attached to table frame.
- **DO NOT** leave table unattended in the upright position. Table is not secure yet and can be knocked over causing bodily injury or property damage



- Install screws (H16) into the pre-drilled holes on the Black Strut Tubes (P5).

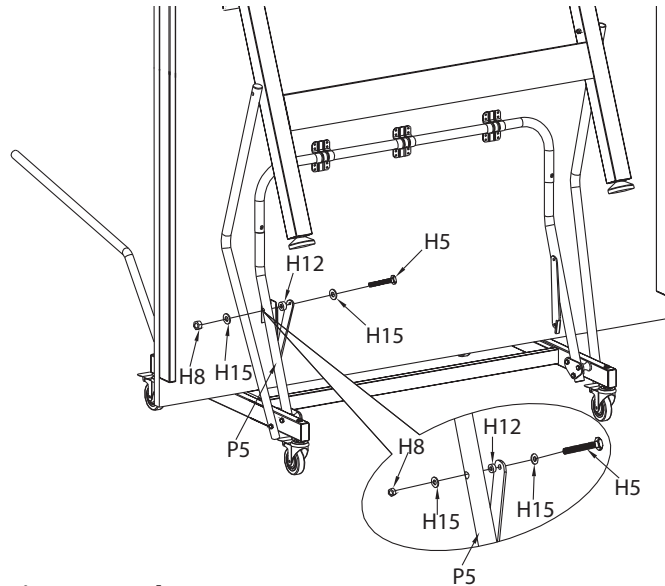
STEP 8

Hardware Needed:

H5 Bolt M6x45MM 4.PCS	
H8 M6 Lock nut 4.PCS	
H12 M6 Plastic Spacer 4.PCS	
H15 M6 Washer 8.PCS	
P5 Strut Tube 4.PCS	

WARNING:

- **DO NOT** open the table to playing position until all support beams and hinges are attached to table frame.
- **DO NOT** leave table unattended in the upright position. Table is not secure yet and can be knocked over causing bodily injury or property damage



Hinge Attachment

- Ensure the hinge is bent with the elbow on the bottom making a "V" shape. **WARNING:** It is very important the hinge is assembled correctly or there could be damage to the table.
- Thread the bolt in the following order: Bolt (H5) Washer (H15), Hinge, Spacer (H12), Strut Tube (P5), Washer (H15), then Lock nut (H8).
- Secure tightly and repeat step for each Hinge.
- Once complete, repeat steps 5-8 for the other Table Top (P1).

STEP 9

Hardware Needed:

P6

Accessory Holder 3.PCS



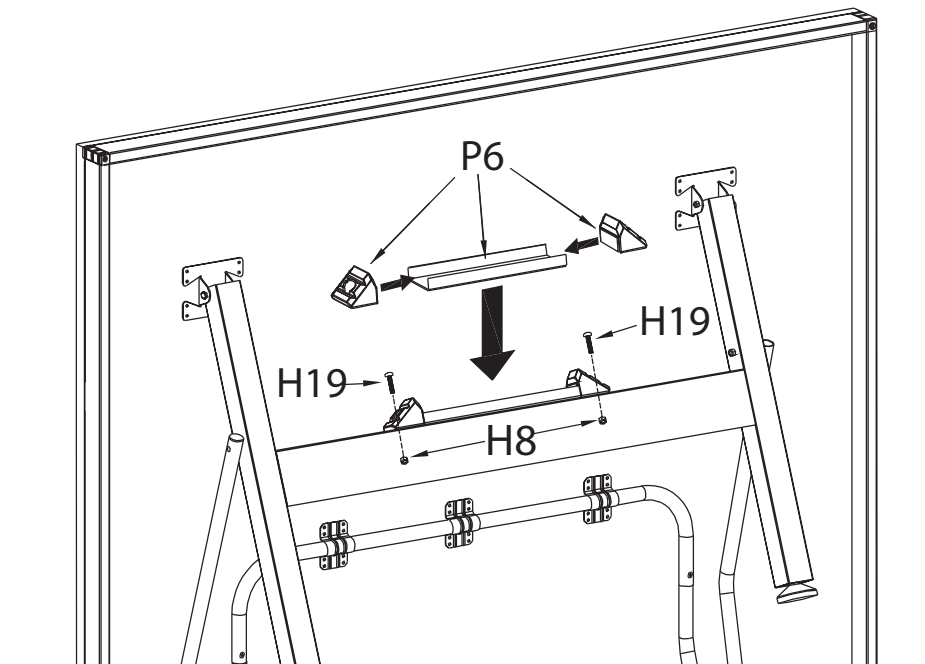
H8

M6 Lock nut 2.PCS



H16

M6x15mm Phillips Head Machine Bolt 2.PCS



Accessory Holder

- Assemble Accessory Holder by positioning one of the plastic pieces over one of the pre-drilled holes on the H frame.
- Screw into the frame with a bolt (H19).
- Secure the middle metal piece by tightly fitting it between the two plastic pieces.
- Finish the assembly by screwing in the other plastic piece with a bolt (H19).
- If assembled correctly, the metal holder should fit snug between the two plastic holders.

STEP 10

⚠ WARNING:

- Area should be clear of children, pets, and any other obstacles when moving the table in different position.
- **DO NOT** allow children to climb between, under or over any part of the table.
- Adults only should move or open/close the table.
- **NEVER** leave table unattended in standing position without properly stored. Table could be knocked over, causing serious injury or property damage.
- **NEVER** leave table partially opened or not fully secure.
- Before moving on to the next steps, ensure all support tubes and hinges are assembled correctly and appropriately.
- **DO NOT** grasp metal legs, support pieces, linkage, or hinges. These parts can move and entrapment and/or pinching of fingers or hands can occur.

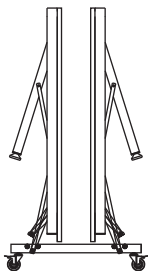


Figure 1

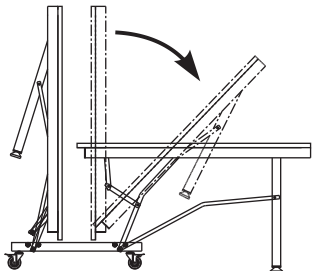


Figure 2

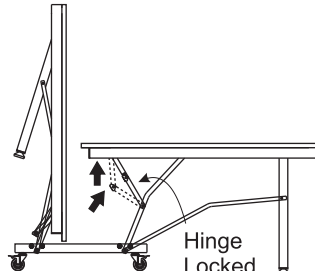


Figure 3

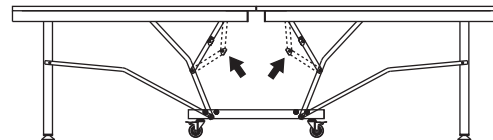


Figure 4

Putting the Table Play-Back and Play Mode

- After correctly assembling both Table Tops, your table can safely be moved from storage mode (Figure 1) to the play-back (Figure 3) or normal (Figure 4) play position.
- Grab the center of the top edge with both hands. **WITH CAUTION**, gently pull the table outward until you feel the legs rest on the floor as shown.
- Secure table by locking the hinges on both sides of the tabletop. Hinges will lock by pushing up on the elbow.
- Repeat steps for the other Table Top.

Putting the Table in Storage Mode

- Before moving the table tops, ensure hinges have been unlocked
- Grab from the center of the top edge, pulling up and out, do not let go until the table comfortably sits on its own.
- Repeat for the other side of the table.
- Once table is secure, you can safely unlock the wheels and move it about.
- For your safety, lock wheels once you have reached the desired storage or play area. Keep wheels locked until you move the table again. To properly install net, the table will need to be moved into playing position as shown in Fig. 4.

STEP 11

Hardware Needed:

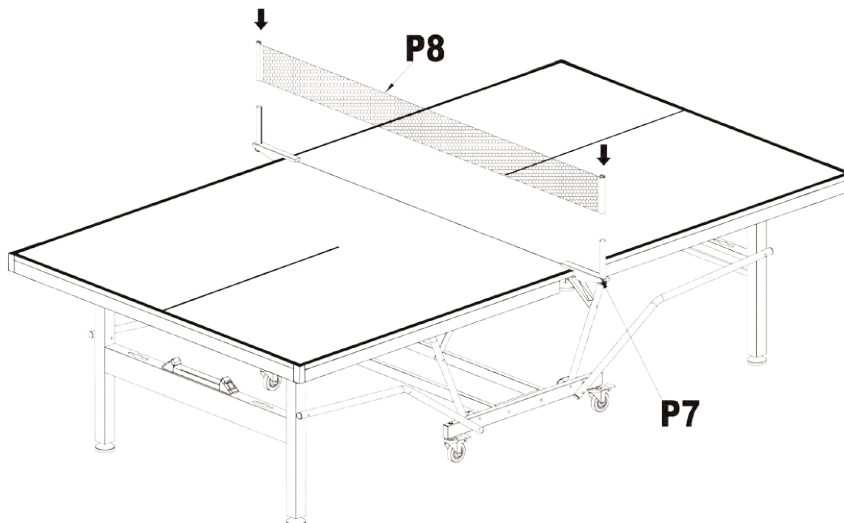
P7

Net Clipper 2.PCS



P8

Net 1.PCS



- Now that your table is in play position, you are ready to assemble the net.
- Secure the Net Clipper (P7) to your Table Top (P1) by clipping it near the center of the two Table Tops.
NOTE: If you plan on putting the Table in storage mode, you will want to clip it to only one Table Top surface as close to the center as possible. The Net Clipper can be moved back once the table is in play position again.
- With white part facing up, attach the Net (P8) to the Net Clipper (P7) by sliding one Net Sleeve into a Net Clipper, then stretching the Net across the table to slide the sleeve into the other Net Clipper.
- Tighten the Net by pulling the cord down and hooking the chain at the bottom of the Net Clipper.
- To adjust the Net height, crank the wheel underneath the Net Clipper.

Features:

- Box Steel Apron for Durability
- Comes with 50% Pre-assembled
- Easy Set-up by Two People in just 40 minutes
- Includes Net and Clip Set
- For Indoor Use Only
- DSG Exclusive
- Swivel Wheels with Locking Casters for Safe Transport
- Matte Grey Finish
- 4/5"x2" Box Steel Apron
- Foldable Design and Simple & Fast Assembly
- Integrated Paddle and Ball Storage
- Leg Levelers and Bumper Corners for Stability and Protection

What's in the Box:

- Table tennis table
- Net and clip set
- Instruction book

Technical Specs:

- Wheel diameter: 3" -inches
- Construction Material: MDF+STEEL
- Table Top Thickness: 7/10" -inches
- Lockable Casters Length: 3" -inches
- Net Length: 66-1/5" -inches
- Playback Position Dimensions (L x W x H): 107-9/10" x 60" x 7/10" -inches
- Storage Position Dimensions (L x W x H): 63" x 57" x 5-7/10" -inches
- Table Dimensions (L x W x H): 107-9/10" x 60" x 29-9/10" -inches





Questions? Issues?

We are here to help!

Phone: (1) 718-535-1800

Email: support@pyleusa.com