

serenelifeTM



SLSPSKT205

2 Pcs. Portable Mono Solar Panel Starter Kit

100W x 2 Off-Grid Solar Panel Kit
with 30A PWM Controller with LCD Screen

USER GUIDE

Carefully read through these installation instructions before installing, operating or servicing PV system. Failure to follow these instructions may result in bodily injury or damage to property. Keep these instructions!
Working on a PV system (installation, setup, maintenance, repairs) must be carried out by qualified and authorized persons.

Electrical Characteristics

The tolerance of Electrical Characteristics is $\pm 3\%$ under standard conditions (irradiance of 1000mW/cm², AM 1.5 spectrum, and cell temperature of 25°C or 77°F).

WARNING:

⚠ Danger of death from electric shock!

- Solar modules generate electricity as soon as they are exposed to light. One module on its own is below the safety extra low volt level, but multiple modules connected in series (summing the voltage) or in parallel (summing the current) represent a danger. The following points must be observed when handling the solar modules to avoid the risk of fire, sparking and fatal electric shock.
- Do not insert electrically conducting parts into the plugs or sockets! Fit solar modules and wiring with wet plugs and sockets!
- Exercise utmost caution when carrying out work on wiring and safety equipment (use insulated tools, insulated gloves, ect.)!
- Do not use damaged modules! Do not dismantle modules! Do not mark on the rear of the module using sharp objects!
- Exercise utmost caution when working on wiring and the inverter. Be sure carefully to follow manufacture's installation instructions! Artificially concentrated sunlight shall not be directed on the module or panel.

⚠ Danger of death from arcing!

Modules generate direct current when light shines on them. An arc may be produced when connections are separated. We therefore recommended covering modules with a lightproof cloth during installation.

When breaking a connected string of modules (e.g. when disconnecting the DC line from the inverter under load), a lethally strong arc can occur:

- Never disconnect the solar generator from the inverter while the inverter is connected to the mains grid—remove the fuse from the AC side on the inverter first!
- Ensure cable connections in perfect condition (no splitting, soiling or other contamination)

GENERAL SAFETY INFORMATION

Ensure that the module is used only in applications for which it is suitable (see *Installing the modules*). All work on a PV system (installation, setup, maintenance, repairs) must be carried out only by appropriately qualified and authorized persons. The appropriate DIN standards, construction rules and safety instructions are to be followed for installation.

UNPACKING THE MODULES AND STORAGE

The utmost care is required when handling the modules.

Be careful when unpacking, transporting, and storing the modules:

- Transport modules in an upright position.
- Carry modules with both hands. Do not use the connection socket as a handle.
- Ensure modules do not bow under their own weight.
- Do not place modules on top of each other.
- Do not subject to load, do not stand on them.
- Do not mark using sharp implements.
- Do not stand on the panel.
- Keep all electrical contacts clean and dry.

If it is necessary to store the modules temporarily, a dry, ventilated room should be used.

INSTALLING THE MODULES

When installing the modules, please pay attention to: the assembly is to be mounted over a fire resistant roof covering rated for the application.

- Keeping within the maximum permitted load.

The maximum mechanical load on the module must not exceed 5400pa.

To avoid exceeding the maximum mechanical load, site-specific live loads such as wind and snow should be taken into account.

• **Environmental Conditions.**

The module is intended for use in temperate climatic conditions. The module is “non-explosion-protected equipment”. Hence it must not be installed in the proximity of highly inflammable gases and vapors (e.g. filling stations, gas containers, paint equipment). The module must not be installed near to naked flames or flammable materials. Do not expose modules to concentrated light sources. It must not be immersed in water or constantly exposed to water (e.g. from fountains). If there is exposure to salt (it is recommended that modules are installed at least 500m from the sea) and sulfur (sulfur sources, volcanoes), there is a risk of corrosion.

• **Maximum number of modules in parallel and in series**

When designing the system, we recommend that the maximum number of modules in parallel should be no more than four while the maximum number of modules in series no more than twelve.

Recommended maximum series/parallel module configurations:
 $[V_{sys}/(1.25V_{oc})]/2$

Please note:

1. Our panel leading cable is 2.5mm², and the maximum current it bears is 16A.
2. Please choose suitable accessories according to the system demand and components' capacity guided by qualified electrician.

• **Requirements of Installation**

Make sure the modules' electrical performances in a system are the same. When connected in series, modules must all have the same amperage. When connected in parallel, the modules must all have the same voltage. Connect the quantity of modules that match the voltage specifications of the devices used in the system. The modules must not be connected together to create a voltage higher than the permitted system voltage. To minimize risk in the event of an indirect lightning strike avoid forming loops when designing the system. Artificially concentrated sunlight shall not be directed on the module or panel.

Modules must not be fitted as overhead glazing. Ensure that the mounting system can also withstand the anticipated wind and snow loads.

Precipitation can run off through small openings on the back side of the module. Make sure that these openings are not masked after mounting.

- **Optimum Orientation and Tilt**

To achieve the maximum annual yield figure out what the optimum orientation and tilt of the PV modules is. If sunlight shines vertical onto the PV modules you have the best conditions to generate maximum power.

- **Avoid Overshadowing**

Even the slightest partial shading (e.g. from dirt deposits) will cause a reduction in yield. A module is considered “shadow-free” if it is unobscured across its entire surface for the whole year and even on the shortest day of the year unobstructed sunlight can reach the module.

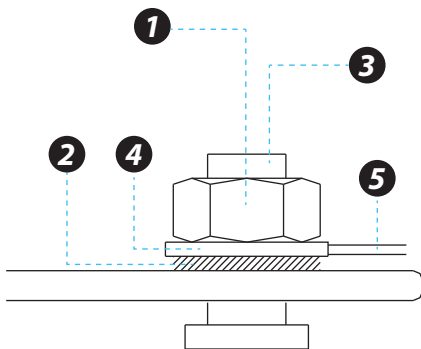
- **Reliable Ventilation**

Functioning ventilation prevents the build-up of heat, which would reduce performance.

- **Earthing**

Although the modules are certified to safety class II, we still recommend earthing them. The earth connection must be made by a qualified electrician.

Connect module frames to each other using cables with cable lugs. Use the hole ($\Phi 7*11\text{mm}$) attached that are provided for this purpose. To create the conductive connection (frame is anodized), use a serrated washer or a self-tapping screw ($\Phi 5.5\text{mm}$). The earth connection should be made by a qualified electrician.



1. Stainless steel M6 nut
2. Stainless steel serrated washer
3. Stainless steel bolt
4. Stainless steel connection head
5. Grounding lead

All the junctions on the conductive connection must be fixed.

The fastness does not depend on soldering.

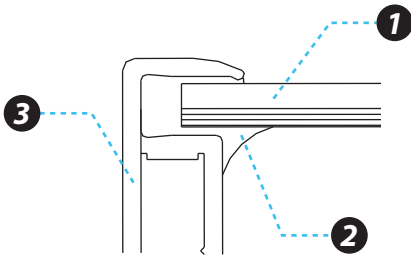
The metal containing iron in the conductive connection should be handled by some way, such as anodization, spray-painting, galvanization.

Stainless steel does not need to be handled.

MOUNTING

Installation of Frame and Module

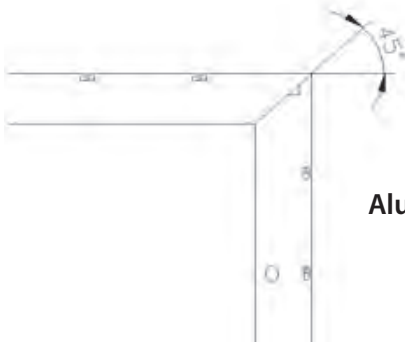
The depth is no less than 3mm when installing the module into the frame.



1. Module
2. Silica
3. Aluminum Frame

Connection between frames

The depth is no less than 3mm when installing the module into the frame.

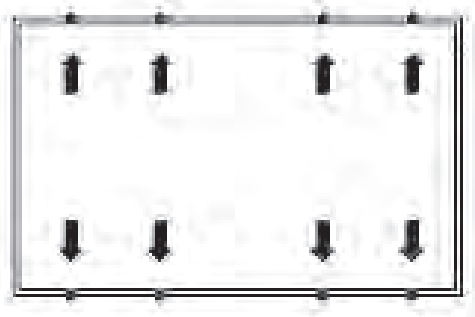
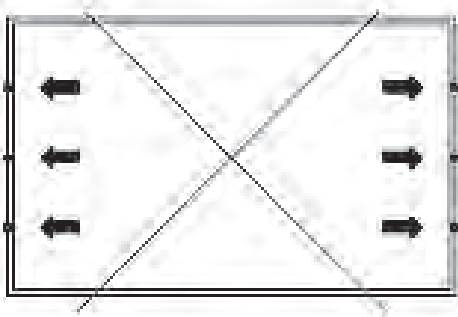


Installation Requirements

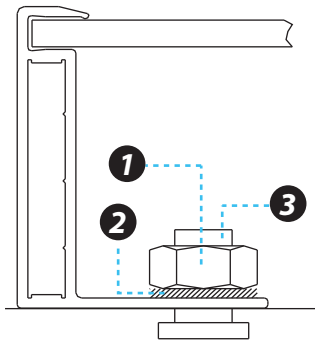
Each module must be securely fastened at a minimum of 4 points.

The frame has been stress tested for mounting on the long sides.

The module must not be secured by its short sides.

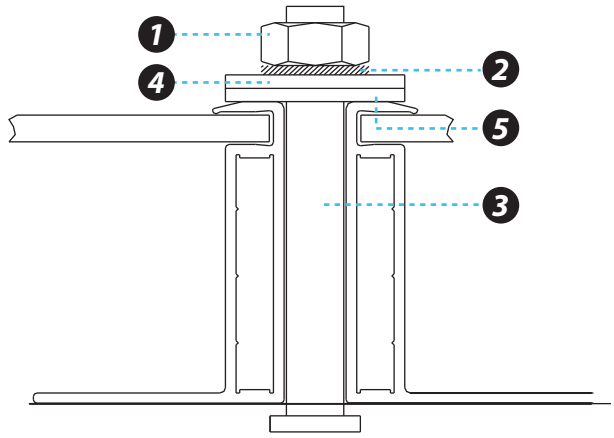


Example for mounting the PV modules to the substructure:



Example A: Bolting

1. Stainless steel M6 nut
2. Stainless steel spring washer
3. Stainless steel M6 t-head bolt



Example B: Clamping on

4. Aluminum clamping plate
5. EPDM washer 2mm

We recommend using a torque wrench for installation. In example B, the tightening torque (using stainless steel M6 bolts) should be around 15-20Nm. Use the existing holes for securing the module and do not drill additional holes (doing so would void the warranty). Use appropriate corrosion-proof fastening materials.

ELECTRICAL INSTALLATION

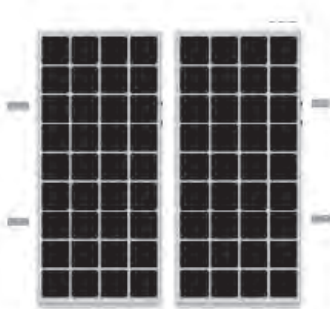
Cables and Wiring

Our modules are equipped with two (2) stranded, PV-rated, output MC4 cables. The positive connector is a male connector and the negative connector is a female connector. These wires by themselves are rated for series connections, but could be adapted to hold parallel connections with an extra component such as a combiner box or an MC4 adaptor for parallel strings. We recommends that only sunlight resistant cables be used with the minimum wire size being 2.5mm² in diameter.

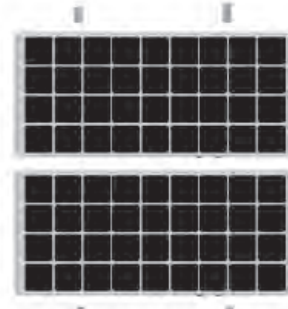
MC4 cables are intended for use on the output wiring of a module or panel and comply with the Standard for Connectors for use in Photovoltaic Systems, UL 6703, see module literature for appropriate mating connectors.

Keep connectors dry and clean and ensure that caps are tightly sealed before connecting modules. Faulty connections can result in electrical shock so make sure to fasten all connections securely.

Our modules can be installed in landscape or portrait orientation. Make sure that the proper distance between the panels and the surface to allow for air circulation.



Portrait Orientation



Landscape Orientation

Series Connections are just plug and play with the male and female MC4 connectors.



Parallel connections will utilize MC4 branch connectors for centralizing all positive and all negative connections.



Compatible manufacturers to Forward Electronics include Multi-Contact exclusively:

Female Type Multi-Contact (A: 4 - 6 mm², D: 5.5 - 9 mm)

Male Type Multi-Contact (A: 4 - 6 mm², D: 5.5 - 9 mm)

Marking or unique physical features for the connectors will include the physical company name, a do not disconnect symbol, a TUV certification symbol on the actual connector, and a polarity band whether it be red or black.

FOR THE WIRING, PAY ATTENTION TO:

• Correct wiring scheme

When designing the system, avoid forming loops (to minimize risk in the event of an indirect lighting strike). Check that wiring is correct before starting up the generator. If the measured open circuit voltage (Voc) and short-circuit current (Isc) differ from the specifications, then there is a wiring fault.

• Use of suitable materials

Use cable extensions and plugs that are designed for outdoor applications. Ensure that they are in perfect electrical and mechanical condition. Use only cables having one conductor. Select the appropriate cable diameter to minimize voltage drop (to calculate the minimum cable diameter, the fuse, and to calculate controls, multiply the Isc and Uoc by a factor of 1.25). Under normal conditions, a photovoltaic module is likely to experience conditions that produce more current and/or voltage than reported at standard test conditions. Accordingly, the values of Isc and Voc marked on this module should be multiplied by a factor of 1.25 when determining component voltage ratings, conductor ampacities, fuse sizes, and size of controls connected to the PV output.

ROOF INSTALLING

- Use fasteners to fasten the modules to the mounting support structure. Modules should be bolted to support structures through mounting holes located in the frame's back flanges only. Stainless-steel bolts, with nuts, washers, and locks washers, are recommended for module mounting. Creation of additional holes for mounting is not recommended and will invalidate the warranty. Modules should not be mounted by supports at the ends.
- Mounting support structure should withstand forces from wind and snowfall pressure etc. Mounting support structure should use proper materials and corrosive treatment.
- Installation the modules on the roof should has proper ventilation. A clearance of 4.5 inches (about 115mm) or more behind the modules is recommended to permit air circulation and cooler module operation. Elevated temperatures lower operating voltage and power, and shorten module lifetime. Clearance of 1/4 inch (6.35mm) or more between modules is required to allow for thermal expansion of the frames.
- The mounting support structure should be fire-proof.
- The modules' fire safety is class C.

MAINTENANCE AND CLEANING

Do not change the PV components optionally (diode, junction box, plug connectors). Given a sufficient tilt (at least 15°), it is not generally necessary to clean the modules (rainfall will have a self-cleaning effect). In case of heavy soiling (which will result in output reductions), we recommend cleaning the modules using plenty of water (from a hose) without cleaning agents and using a gentle cleaning implement (a sponge). Dirt must never be scraped or rubbed away when dry, as this will cause micro-scratched. We recommend the system is inspected at regular intervals.

Checklists:

- All fastenings are tight and secure and free of corrosion.
- All cable connections are secure, tight, clean and free of corrosion.
- Cables are not damaged in any way.
- Checking the earthing resistivity of metals.

What's in the Box:

- (2) 100W Mono Solar Panel
- 30A Solar charge controller (White)
- (2) Sets of Mounting hardware / Z-brackets
- 20' Solar Extension Cable (Red), Pre-assembled Female Connector (between solar panel to controller)
- 20' Solar Extension Cable (Black), Pre-assembled Male Connector (between solar panel to controller)
- 8' Extension Cable (Red), Pre-assembled Battery Lug (between controller to battery)
- 8' Extension Cable (Black), Pre-assembled Battery Lug (between controller to battery)
- 15A Fuse and Replacement
- (10) Wire Fixers
- A Pair of MC4 Connectors



This product can expose you to a chemical or group of chemicals, which may include "Di (2-ethylhexyl) phthalate (DEHP)" which is known in the state of California to cause cancer, birth defects, or other reproductive harm. For more info, go to <https://www.p65warnings.ca.gov/>.

Features:

- Includes 30A PWM Controller with LCD Screen
- Portable and Easy Set-Up
- Sleek Design for Aesthetic Quality
- Grade A Mono Solar Cells
- Higher Module Conversion Efficiency
- Each Panel Produces 300-600Wh a day
- Generates 5.3 amp Power
- Charges 12/24 Volt Battery
- Anodized Aluminum Frame to Protect Solar Cells & Convenient for Installation
- Pre-drilled Holes, Compatible with Common Ground Mounts
- Foam Box for Safe Transport and Easy Storage
- Dust Tight and Waterproof with IP67 Rating
- Set Up in Just 5 Minutes for Solar Starters
- Used for Marine, Dry Camp, RVs, and Other Off-grid Applications

Technical Specs:

- Power Supply: 100W x 2
- Fuse: 15A
- Short-Circuit Current (Isc): 5.85A
- Open-Circuit Voltage (Voc): 23.1V
- Maximum Power Voltage (Vmp): 18V
- Maximum System Voltage: 1000V
- Tolerance of PMax: $\pm 3\%$
- Series Fuse Rating: 15A
- Maximum Power Current (Imp): 5.32A
- Battery Type: 12V Lead-acid and Lithium-ion Batteries
(Battery Not Included in the System)
- Cell Type: High-Efficiency Monocrystalline
- Operating Temperature: Controller and Inverter: -20°C - 50°C
- Solar Panel: -40°C - 85°C
- Controller Voltage: 12V/24V
- Max. Input: $< 50\text{V}$
- USB Output: 5V/2A
- Standby Current: $< 12\text{mA}$
- Type of Connector: MC4 Connector
- Wire/Cable Length: 35.4 -inch
- Product Dimension: 36" x 26.2" x 1.4" -inches

serenelife™

Questions? Issues?

We are here to help!

Phone: (1) 718-535-1800

Email: support@pyleusa.com