

serenelife[∞]™



SLTLW100

Single Touch Towel & Blanket Warmer

with Fragrant Disc Holder and LED Ring

User Manual

CONTENTS

Caution	3
Important Safety Instructions	3
Warning	4
FCC Information	5
Location of Parts and Controls	6
Set Up	7
Using the Towel Warmer	7
Tips For Best Results	8
Care and Maintenance	8
Benefits	8
Features & Specifications	9

WARNING:

**BE SURE TO READ ALL INSTRUCTIONS, WARNINGS
AND PRECAUTIONS CAREFULLY BEFORE USING THIS PRODUCT.
FAILURE TO DO SO COULD RESULT IN INJURY,
TO USERS OR DAMAGE TO THE PRODUCT.**

CAUTION

TO REDUCE THE RISK OF SERIOUS INJURY, PLEASE NOTE THAT THIS IS NOT A TOY. DO NOT ALLOW CHILDREN TO OPERATE OR PLAY NEAR THE TOWEL & BLANKET WARMER.

TO REDUCE THE RISK OF FIRE OR ELECTRIC SHOCK, DO NOT EXPOSE THIS UNIT TO RAIN OR MOISTURE.



The lightning flash with arrow-head symbol within an equilateral triangle is intended to alert the user to the presence of uninsulated “**dangerous voltage**” within the unit’s enclosure that may be of sufficient magnitude to constitute a risk of electric shock.



The exclamation point within an equilateral triangle is intended to alert the user to the presence of important operating and maintenance (servicing) instructions in the literature accompanying the unit.

IMPORTANT SAFETY INSTRUCTIONS

ALL OF THE SAFETY AND OPERATING INSTRUCTIONS SHOULD BE READ, ADHERED TO AND FOLLOWED BEFORE THE UNIT IS OPERATED.

- **FOR HOUSEHOLD USE ONLY**
- **FOR ADULT USE ONLY**
- **FOR DRY FABRIC ITEMS ONLY**

SAVE THESE INSTRUCTIONS

WARNING



WARNING:

TO REDUCE RISK OF FIRE, ELECTRIC SHOCK, OR SERIOUS INJURY TO PERSONS WHEN USING THE APPLIANCE, FOLLOW BASIC PRECAUTIONS INCLUDING THE:

- Read all instructions before using the appliance.
- Always unplug the unit from the electrical outlet immediately after using.
- Do not use appliance for anything other than its intended use.
- Do not place or store the unit where it can fall or be pulled into a tub or sink.
- Do not place in or drop into water or other liquid.
- Do not reach for a unit that has fallen into water. Unplug it immediately.
- Care should be taken so that objects do not fall into and/or liquids are not spilled onto the unit.
- This unit should never be left unattended when plugged in.
- Close supervision is necessary when this unit is used near children or disabled persons.
- Use this unit for its intended use as described in this manual.
- Never operate this unit if it has a damaged cord or plug, if it is not working properly, or if it has been dropped, damaged, or dropped in water.
- Keep cords away from heated surfaces. Do not wrap the cord around the exterior of the appliance or let the cord hang over a table or counter edge.
- Do not use outdoors.
- Do not alter the safety plug or use an extension cord with this device.
- Do not operate with a voltage converter.
- Do not touch hot surfaces.
- Do not use accessory attachments not recommended by the manufacturer as this may cause injuries.

FCC INFORMATION

CAUTION: Changes or modifications not expressly approved by the party responsible for compliance could void the user's authority to operate the equipment.

This device complies with Part 15 of the FCC Rules.

Operation is subject to the following two conditions:

1. This device may not cause harmful interference.
2. This device must accept any interference received including interference that may cause undesired operation.

WARNING:

Changes or modifications to this unit not expressly approved by the party responsible for compliance could void the user's authority to operate the equipment.

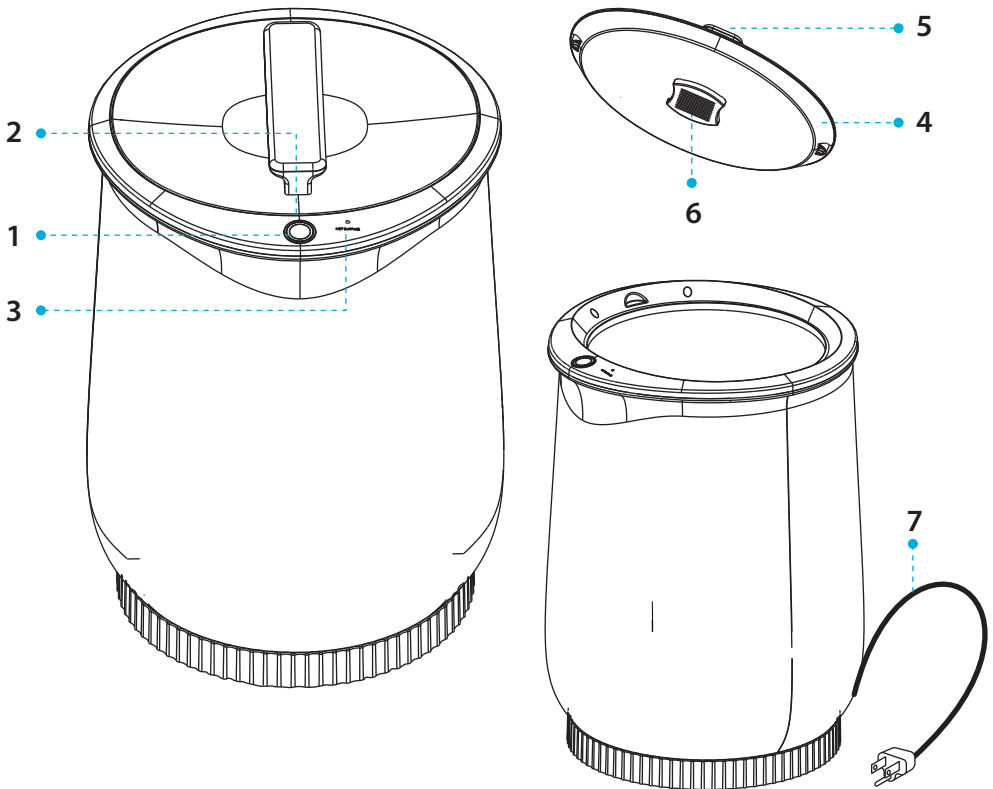
Note:

This equipment has been tested and found to comply with the limits for a Class B digital device, pursuant to Part 15 of the FCC Rules. These limits are designed to provide reasonable protection against harmful interference in a residential installation. This unit generates, uses and can radiate radio frequency energy and if not installed and used in accordance with the instructions, may cause harmful interference to radio communications. However, there is no guarantee that interference will not occur in a particular installation. If this equipment does cause harmful interference to radio or television reception, which can be determined by turning the equipment off and on, the user is encouraged to try and correct the interference by one or more of the following measures:

- Reorient or relocate the receiving antenna.
- Increase the separation between the equipment and receiver.
- Connect the equipment to an outlet on a circuit different from that to which the receiver is connected.
- Consult the dealer or an experienced radio/TV technician for help.

LOCATION OF PARTS AND CONTROLS

No.	PART NAME
1	On/Off Button
2	LED Ring
3	Hot Surface Indicator
4	Lid
5	Handle
6	Fragrant Disc Holder
7	Power Cord



SET UP

1. Open the Lid and remove any packaging contents.
2. Place the Towel Warmer on a dry, level, hard surface.
3. Insert Plug into a standard 120V outlet.

NOTE:

This Towel & Blanket Warmer has a 3-prong grounding plug. To reduce the risk of electric shock, plug the power cord into a grounded (earthed) electrical outlet that is easily.

USING THE TOWEL & BLANKET WARMER

The Towel & Blanket Warmer can comfortably warm up two large cotton bath towels or a personal throw blanket.

1. Insert the power cord into an electrical outlet.
2. Open the **LID** and place **ONLY DRY** towel(s) or blanket inside.
NOTE: Placing damp or wet towels inside the towel warmer can damage the unit and pose serious safety risks.
3. Close the **LID**.
4. Press the **ON/OFF BUTTON**. The **LED** ring will turn red, indicating that the unit is heating.
5. When the temperature of the **INTERIOR SURFACE** exceeds 122°F/50°C, the **HOT SURFACE INDICATOR** will light up. When lit, the **INTERIOR SURFACE** of the Towel Warmer is unsafe to touch.
6. 15 minutes is typically sufficient for heating 2 bath towels.
NOTE: The Towel Warmer could reach approximately 266°F/130°C and remain hot for the duration of the heating cycle.
7. Open **LID** to remove towel(s) or blanket.
NOTE: To avoid damage to the unit, gently raise the lid when removing items.
8. Press the **ON/OFF BUTTON** at any time to stop or start the heating cycle.
9. The unit will automatically turn off after 60 minutes.
10. After the heating cycle is complete, the **INTERIOR SURFACE** of the Towel & Blanket Warmer will remain dangerous to touch until the **HOT SURFACE INDICATOR** turns off.

TIPS FOR BEST RESULTS

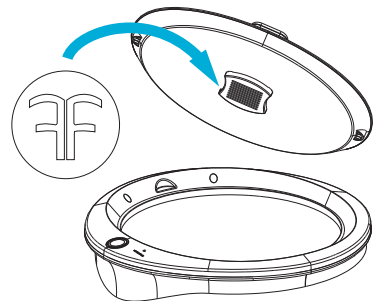
1. Use cotton or cotton blend towels or fabrics.
2. For fast and even heating, loosely pile 1 towel into the Towel & Blanket Warmer. Tightly rolled or folded towels will take longer to heat thoroughly. Two towels will take longer to heat than one.
3. Use only with **DRY** fabrics. **Note:** DO NOT use with damp or wet articles.
4. Avoid using delicate fabrics that cannot withstand high heat. Any fabric indicating that a cool iron must be used may not be able to withstand the heat of the towel warmer, resulting in damage to the fabric and the Towel & Blanket Warmer.
5. Once the heating cycle has begun, keep the lid closed. This will prevent heat from escaping. Opening the lid mid-cycle may result in slower heating times. **Note:** Condensation on the lid and interior of the product is normal.
6. When used with the Towel & Blanket Warmer, the Fragrant disc holder may warp over time.
7. Fragrant disc can last up to 2 years at room temperature. Longevity of scent will be decreased when exposed to heat from the Towel and Blanket Warmer. Replace disc when you no longer smell the scent.

CARE AND MAINTENANCE

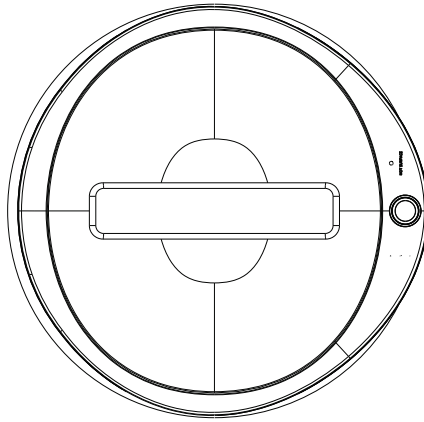
REMOVE THE POWER CORD FROM THE ELECTRICAL OUTLET BEFORE CLEANING.
WIPE WITH A DRY CLOTH ONLY WHEN UNIT IS COOL TO THE TOUCH.

BENEFITS

- Generous cavity has the capacity to hold 2 large bath towels or personal throw blanket.
- Simple, single-touch control provides you with up to 60 minutes warming.
- Lid keeps hands free when filling and emptying the Towel and Blanket Warmer
- Add a fresh, odor-neutralizing scent to your towels and blankets by inserting a Fragrant disc (not included) into the disc holder.



- Double walled insulated lid keeps heat in while staying cool to the touch.



Features:

- Perfectly Size for Two Large Bath Towels
- With Fragrant Disc, an Innovative Air Freshener
- Works for Up to 2 Years
- Holds 2 Large Bath Towels or Personal Throw Blanket
- Simple Single-touch Control
- On/Off Button
- Automatically Turns Off After 60 Minutes
- Lid Keeps Hands Free when Filling and Emptying the Towel and Blanket Warmer
- Double-walled Insulated Lid Keeps Heat In while Staying Cool to the Touch

What's in the Box:

- Single TouchTowel & Blanket Warmer
- Power Cord

Technical Specs:

- Constructional Material: PP, PC Galvanized Sheet
- Power Supply: 450W
- Power Output: 120V AC
- Frequency Response: 60Hz
- Volume: 20L
- Power Cord Length: 7.22 ft.
- Product Dimensions (L x W x H): 13.25" x 13.25" x 18.5" -inches



serenelife[∞]™

Questions? Comments?

We are here to help!

Phone: (1) 718-535-1800

Email: support@pyleusa.com