

serenelife™



***SLTLW300***

**Single Touch Towel & Blanket Warmer**

with Fragrant Disc Holder

***User Manual***

## CONTENTS

Precautions .....	3
Important Safety Instructions .....	3
Warning .....	4
FCC Information .....	5
Location of Parts and Controls .....	6
Set Up .....	7
Using the Towel Warmer .....	7
Tips For Best Results .....	9
Care and Maintenance .....	9

- *Built-in timer to heat your towels for 15, 30, 45 or 60 minutes*
- *Automatically shut off feature*
- *Perfect size for two large bath towels*

### **WARNING:**

**BE SURE TO READ ALL INSTRUCTIONS, WARNINGS AND PRECAUTIONS  
CAREFULLY BEFORE USING THIS PRODUCT.  
FAILURE TO DO SO COULD RESULT IN INJURY TO YOU  
OR DAMAGE TO THE UNIT.**

## PRECAUTIONS

**TO REDUCE THE RISK OF SERIOUS INJURY, PLEASE NOTE THAT THIS IS NOT A TOY. DO NOT ALLOW CHILDREN TO OPERATE OR PLAY NEAR THE TOWEL & BLANKET WARMER.**

**TO REDUCE THE RISK OF FIRE OR ELECTRIC SHOCK, DO NOT EXPOSE THIS UNIT TO RAIN OR MOISTURE.**



The lightning flash with arrow-head symbol within an equilateral triangle is intended to alert the user to the presence of uninsulated “**dangerous voltage**” within the unit’s enclosure that may be of sufficient magnitude to constitute a risk of electric shock.



The exclamation point within an equilateral triangle is intended to alert the user to the presence of important operating and maintenance (servicing) instructions in the literature accompanying the unit.

## IMPORTANT SAFETY INSTRUCTIONS

**ALL OF THE SAFETY AND OPERATING INSTRUCTIONS SHOULD BE READ, ADHERED TO AND FOLLOWED BEFORE THE UNIT IS OPERATED.**

- **FOR HOUSEHOLD USE ONLY**
- **FOR ADULT USE ONLY**
- **FOR DRY FABRIC ITEMS ONLY**

## SAVE THESE INSTRUCTIONS

## WARNING



### **WARNING:**

**TO REDUCE RISK OF FIRE, ELECTRIC SHOCK, OR SERIOUS INJURY TO PERSONS WHEN USING THE APPLIANCE, FOLLOW BASIC PRECAUTIONS INCLUDING THE:**

- Read all instructions before using the appliance.
- Always unplug the unit from the electrical outlet immediately after using.
- Do not use appliance for anything other than its intended use.
- Do not place or store the unit where it can fall or be pulled into a tub or sink.
- Do not place in or drop into water or other liquid.
- Do not reach for a unit that has fallen into water. Unplug it immediately.
- Care should be taken so that objects do not fall into and/or liquids are not spilled onto the unit.
- This unit should never be left unattended when plugged in.
- Close supervision is necessary when this unit is used near children or disabled persons.
- Use this unit for its intended use as described in this manual.
- Never operate this unit if it has a damaged cord or plug, if it is not working properly, or if it has been dropped, damaged, or dropped in water.
- Keep cords away from heated surfaces. Do not wrap the cord around the exterior of the appliance or let the cord hang over a table or counter edge.
- Do not use outdoors.
- Do not alter the safety plug or use an extension cord with this device.
- Do not operate with a voltage converter.
- Do not touch hot surfaces.
- Do not use accessory attachments not recommended by the manufacturer as this may cause injuries.

## FCC INFORMATION

**CAUTION:** Changes or modifications not expressly approved by the party responsible for compliance could void the user's authority to operate the equipment.

**This device complies with Part 15 of the FCC Rules.**

**Operation is subject to the following two conditions:**

1. This device may not cause harmful interference.
2. This device must accept any interference received including interference that may cause undesired operation.

**WARNING:**

**Changes or modifications to this unit not expressly approved by the party responsible for compliance could void the user's authority to operate the equipment.**

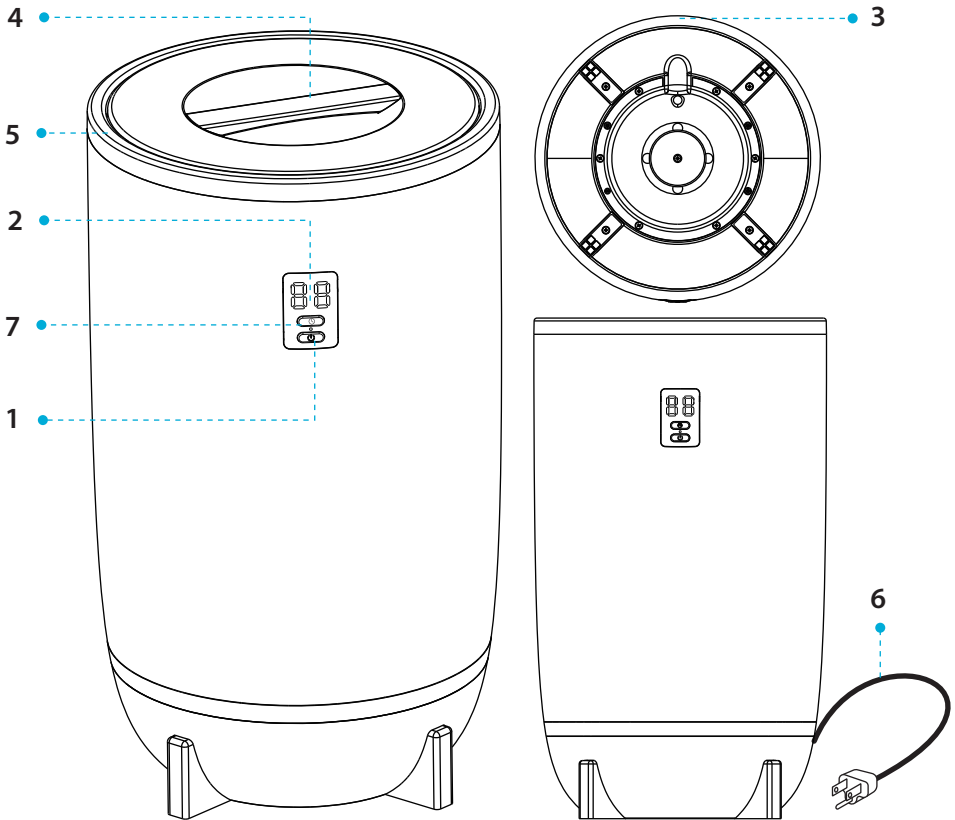
**Note:**

This equipment has been tested and found to comply with the limits for a Class B digital device, pursuant to Part 15 of the FCC Rules. These limits are designed to provide reasonable protection against harmful interference in a residential installation. This unit generates, uses and can radiate radio frequency energy and if not installed and used in accordance with the instructions, may cause harmful interference to radio communications. However, there is no guarantee that interference will not occur in a particular installation. If this equipment does cause harmful interference to radio or television reception, which can be determined by turning the equipment off and on, the user is encouraged to try and correct the interference by one or more of the following measures:

- Reorient or relocate the receiving antenna.
- Increase the separation between the equipment and receiver.
- Connect the equipment to an outlet on a circuit different from that to which the receiver is connected.
- Consult the dealer or an experienced radio/TV technician for help.

## LOCATION OF PARTS AND CONTROLS

No.	PART NAME
1	On/Off Button
2	LED Light
3	Lid
4	Handle
5	Handle Ring
6	Power cord
7	Built-in Timer for 15/30/45/60 mins



## SET UP

1. Open the Lid and remove any packaging contents.
2. Place the Towel Warmer on a dry, level, hard surface.
3. Insert Plug into a standard 120V outlet.

### NOTE:

*This Towel & Blanket Warmer has a 3-prong grounding plug. To reduce the risk of electric shock, plug the power cord into a grounded (earthed) electrical outlet that is easily.*

## USING THE TOWEL & BLANKET WARMER

**The Towel & Blanket Warmer can comfortably warm up two large cotton bath towels or a personal throw blanket.**

1. Insert the power cord into an electrical outlet.
2. Open the LID and place **ONLY DRY** towel(s) or blanket inside.

**NOTE:** *Only pure cotton or other material of clothing with a temperature resistance of 140°C/284°F or more can be heated. Placing damp or wet towels inside the product can damage it and pose serious safety risks.*

3. Close the LID.
4. Press the **ON/OFF BUTTON**. The white LED background light will light up to indicate that the product is heating.  
The default heating time is 15 minutes. When the inner wall temperature reaches 50°C/122°F, the LED light above the switch will be red. (After shutting down, as long as the internal temperature is higher than 50°C/122°F, the LED light above the switch will flash red. Which means it is unsafe to touch. Please wait for it to cool down.)

5. 1 minute rapid heating, 6 minutes to reach high temperature.

**NOTE:** The Towel & Blanket Warmer can reach approximately 266°F/130°C and remain hot for the duration of the heating cycle.

6. Open the lid to remove the towel(s) or blanket.

**NOTE:** To avoid damage to the product, gently raise the lid when removing items.

7. Press the **ON/OFF BUTTON** at any time to stop or start the heating cycle.

8. The product will automatically turn off after 15/30/45/60 minutes.

The timers can be freely switched. Each time you press the timer button, the working time counts down again from 15/30/45/60 minutes.

9. The product starts to count down, and the time display also counts down, displaying 15-14-13...

10. After the heating cycle is complete, the **INTERIOR SURFACE** of the Towel & Blanket Warmer will remain dangerous to touch until the LED light turns off.

11. When the NTC is open, the error code is E0; when the NTC is short-circuited, it is E1; when it is over temperature, it will display E3 (the temperature of the inner wall is higher than 140°C/284°F), in this case, it will automatically shut down and can no longer be turned on.

## FRAGRANCE DISC INSTRUCTIONS

This fragrance disc is for some users who like to use aromatherapy tablets or essential oils when warming towels. (*Fragrance Disc sold Separately*)

1. Remove the Fragrance Disc from its sealed plastic bag.

2. Slide it into the Fragrance Disc Holder located on the underside of the lid.



## TIPS FOR BEST RESULTS

1. Use only pure cotton or other material of clothing with a temperature resistance of 140°C/284°F or more.
2. For fast and even heating, loosely pile one towel into the Towel & Blanket Warmer. Tightly rolled or folded towels will take longer to heat thoroughly. Two towels will take longer to heat than one.
3. Use only with DRY fabrics. **Note: DO NOT** use with damp or wet articles.
4. Avoid using delicate fabrics that cannot withstand high heat. Any fabric indicating that a cool iron must be used may not be able to withstand the heat of the Towel & Blanket Warmer, resulting in damage to the fabric and the product.
5. Once the heating cycle has begun, keep the lid closed. This will prevent heat from escaping. Opening the lid mid-cycle may result in slower heating times. **Note:** Condensation on the lid and interior of the product is normal.
6. When used with the Towel & Blanket Warmer, the Fragrance Disc Holder may warp over time.
7. The Fragrance Disc Holder can last for up to two years at room temperature. The longevity of the scent will decrease when exposed to heat from the Towel & Blanket Warmer. Replace the disc when you no longer smell the scent.

## CARE AND MAINTENANCE

REMOVE THE POWER CORD FROM THE ELECTRICAL OUTLET BEFORE CLEANING.  
WIPE WITH A DRY CLOTH ONLY WHEN UNIT IS COOL TO THE TOUCH.



serenelife<sup>∞</sup>™

**Questions? Comments?**

We are here to help!

Phone: (1) 718-535-1800

Email: [support@pyleusa.com](mailto:support@pyleusa.com)