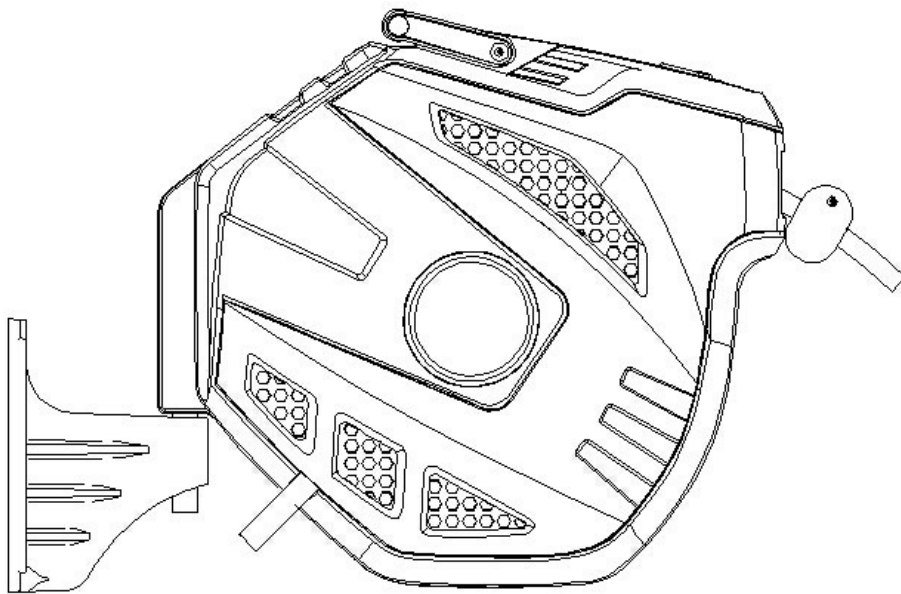


Auto Hose Reel Instruction Manual



SereneLife Models: SLWHR50 - SLWHR65

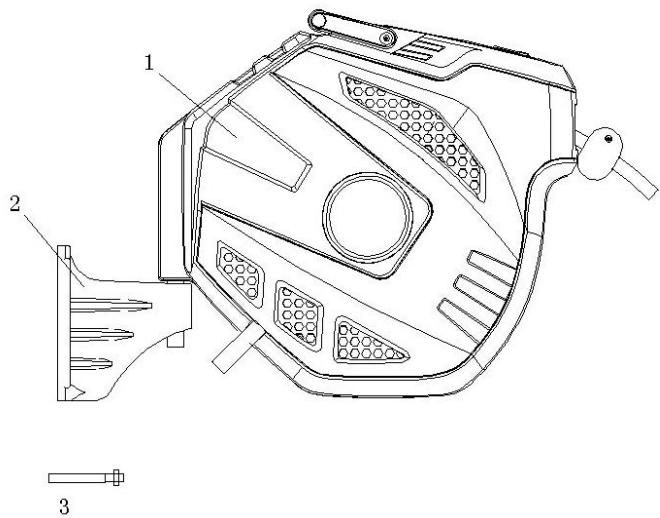
Please read these operating instructions carefully and note the information given. Use these operating instructions to familiarize yourself with the product, the proper use and the safety instructions.

Correct use:

The Hose Reel is provided with auto rewind system and intended for use in the private home and hobby garden or car washing etc.

NOTE: The product could not be used to transmit drinking water!

Parts list:

No	Description	Quantity	Picture
1	Hose reel	1	
2	Mounting bracket	1	
3	Expanding bolts	4	

Installation:

1. Take out the unit and accessories from the box.
2. Choose a suitable place near source of water or air..
3. Take the mounting bracket as a template to mark the position for screws and drill four holes on the wall(Fig.2)

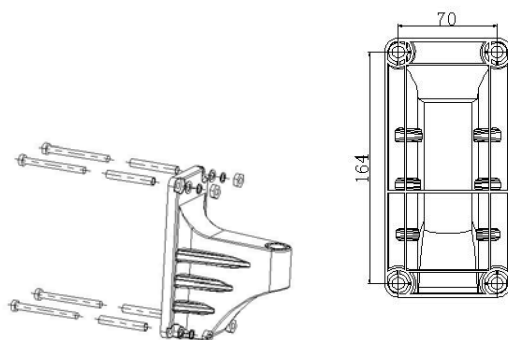


Fig.1

Fig.2

4. Fix the bracket by four M8 screws accordingly, each screw fitted with spring washer and padding.(Fig.1)
5. Connect the reel to the mounting bracket.

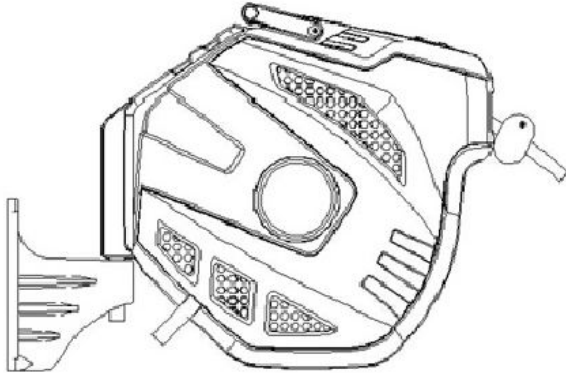


Fig.3

- Note:**
1. The reel should be installed to a wall or post horizontally.
 2. It is suggested to mount the reel approximately 1 meter above the ground.

Operation

Connect the leader hose to the water/air source, then turn on the tap,

Unwind

- Pull out hose to desired length and stop anywhere.

Roll up the hose

- With the end of the hose, go back to the Hose Box.
- Turn off the faucet, loosen the connector of lead hose

Hose change

- Pull all the hose length out and make sure it is locked,
- Unscrew four bolts and pull out the inlet.
- Discharge the hose clip, and take out the old hose.
- Connect the new hose through hose guide system then fasten the inlet and hose clip.
- Unlock the hose and let it back.

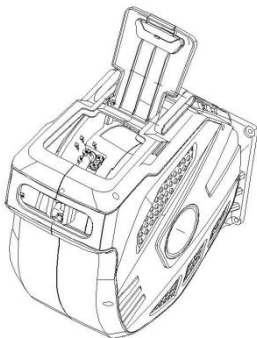


Fig.4

Storage

Cleaning

The hose box is maintenance-free and must not be cleaned internally with water.

Maintenance

- When not in use, please turn off the source of water/air, and turn on the nozzle to release the pressure
- The reel cannot be used to transmit any chemical and substance
- When not in use for an extended period of time it is recommended to be stored in a cool dry place.

Troubleshooting

Default	Reason	Solution
The hose could not retract	Pull out all the hose, then it is locked, and left no more length to unlock	Open the top lip, turn the reel in clockwise direction (Fig.5)
	Spring is fatigued	Please re-preload the spring for 1-2 turns: remove the small cover, use spanner to clamp the groove of preload wheel, unscrew four bolts on the wheel, then rotate it for 1-2 turns in clockwise, then fasten the bolts, and replace the cover. Fig.6

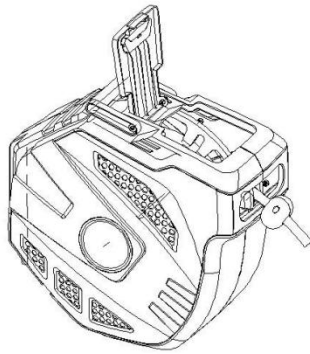


Fig.5

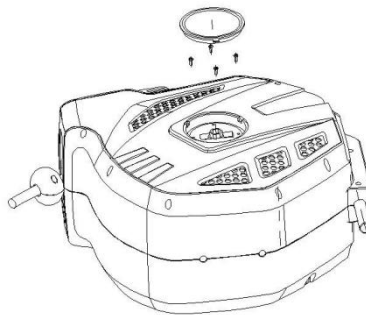


Fig.6