

PYRAMID

originals

SPECIFICATIONS

WX-65X

WX-85X

WX-102X

WX-120X

WX-15X








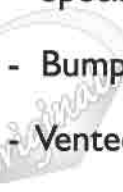
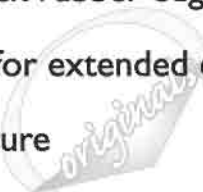

About Pyramid Originals Woofer

Congratulations!

You have just purchased one of our high quality Pyramid woofer. Pyramid Originals Woofer is carefully designed & manufactured for vehicle use. They could deliver consistent and high performance.



The General Features of Pyramid Originals Woofer

- White injected polypropylene cone
 - Specially treated black rubber edge suspension
 - Bumped yoke plate for extended excursion
 - Vented motor structure
 - High temperature kapton voice coil
 - Heavy magnet structure
 - 4 Ohm impedance
- 
- 
- 



originals

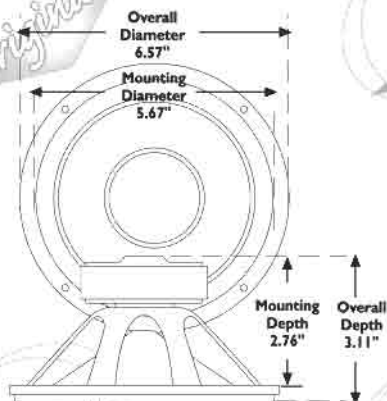


originals

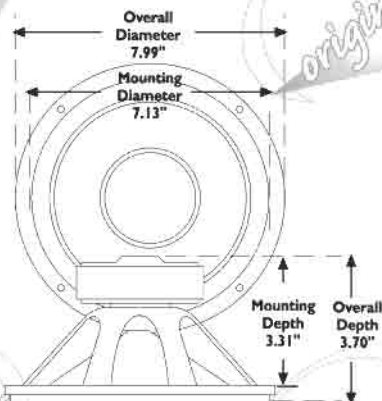


originals

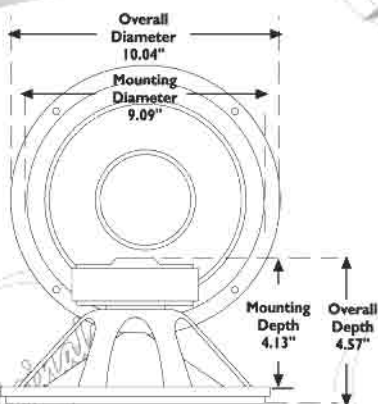
WX-65X



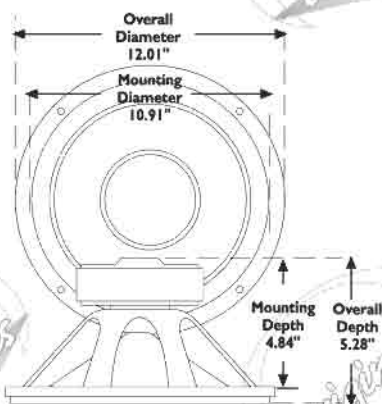
WX-85X



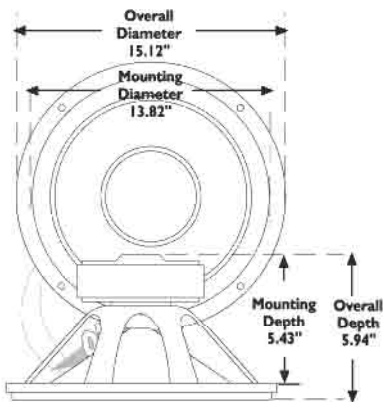
WX-102X



WX-120X



WX-15X



Performance Parameters	WX-65X	WX-85X	WX-102X	WX-120X	WX-15X
Power (Watts Peak)	300	300	400	500	600
Nom. Impedance	4	4	4	4	4
Voice Coil	1	1.5	1.5	1.5	2
Magnet Structure	40	50	70	80	100
Fs (Hz)	69.5	54.3	40.1	38.0	30.0
Qms	2.03	2.85	2.35	1.45	4.57
Qes	0.82	0.71	0.74	0.88	0.64
Qts	0.58	0.57	0.56	0.55	0.56
SPL (dB)	87.1	87.7	88.1	87.5	88.6
Vas (cu ft)	0.297	0.614	1.748	1.812	3.973

Originals continually strives to improve the performance and value of its products - all specifications are subject to change.

MANUFACTURER'S LIMITED TWO YEAR WARRANTY

PYRAMID SOUND CORP. warrants this unit to be free from defective material or workmanship and will repair or replace this unit or any part thereof if it proves defective in normal use or service within two (2) years from the date of original purchase.

Our obligation under this warranty is limited to the repairing or replacing, at our discretion, the defective instrument or any part thereof when it is returned, transportation prepaid to the Pyramid Service Center at the address below. This warranty will be considered void if the unit has been tampered with, improperly serviced, subjected to abuse or misuse or if installed in a commercial vehicle. This warranty does not cover accidental damage. When returning this unit for service, please include \$10.00 for return postage and handling.

Send your unit to:

PYRAMID SERVICE CENTRE
1600-63rd Street
Brooklyn, New York 11204 USA

IMPORTANT:

Pack carefully in original carton if possible. We are not responsible for damage incurred in returning items for repair. A letter stating your exact street address, daytime phone number and the problem you are experiencing should be included. You must also enclose a copy of the original receipt as proof of date of purchase.

Register Online@www.pyramidcaraudio.com